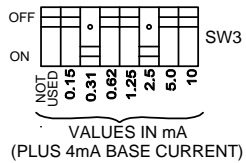
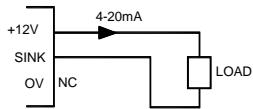


NOTES:

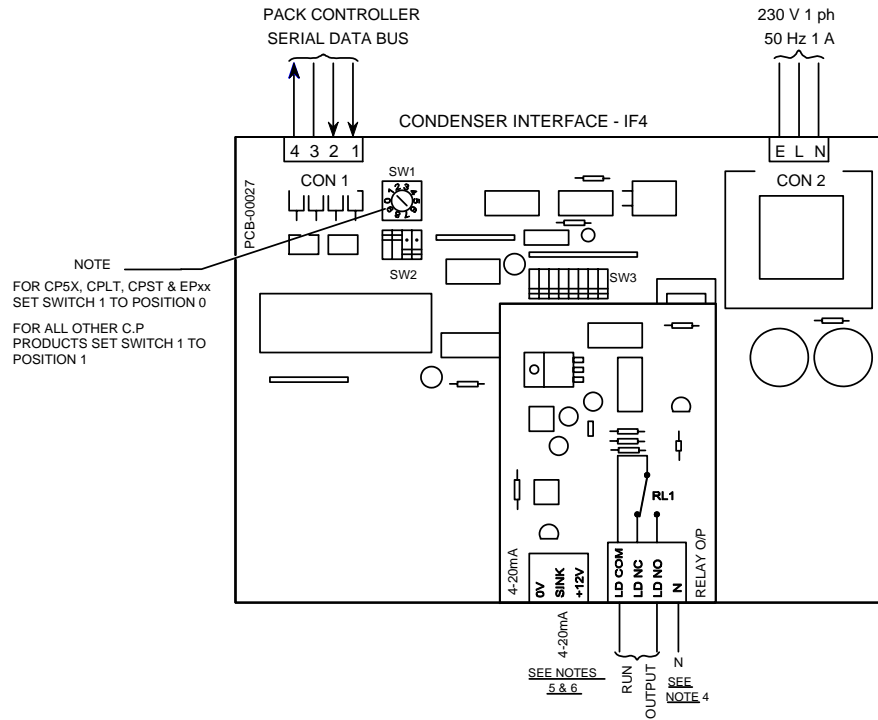
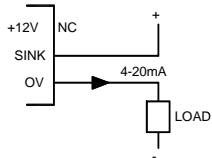
- SWITCH SETTINGS
THE POSITION OF THE DIP SWITCHES 'SW2' MUST BE SET AS SHOWN FOR THE CARD TO OPERATE CORRECTLY.
- SWITCHES 'SW3' CONTROL THE 4-20mA OUTPUT IF PACK SERIAL DATA BUS COMMUNICATIONS FAIL. EACH SWITCH WHEN IN THE ON POSITION ADDS THE VALUE SHOWN BELOW TO THE OUTPUT. EXAMPLE BELOW GIVES:-
 $4 + 0.31 + 2.5 = 6.81\text{mA}$ OUTPUT.




- FULL SCALE (20mA) OUTPUT IS ACHIEVED WHEN SWITCH INPUT IS SET AT BINARY EQUIVALENT OF 99.
- WHEN SWITCHING INDUCTIVE LOAD NEUTRAL CONNECTION IS REQUIRED FOR SUPPRESSORS TO WORK.
- WHEN CURRENT SOURCE OUTPUT IS SUPPLIED BY JTL CARD CONNECT LOAD BETWEEN +12V (CURRENT OUT) AND SINK (CURRENT IN).



- WHEN CURRENT SOURCE OUTPUT IS SUPPLIED BY EXTERNAL PSU, CONNECT EXTERNAL PSU + TO SINK AND LOAD BETWEEN OV AND EXTERNAL SUPPLY -.



THIS IS AN UNCONTROLLED COPY - UNLESS STAMPED WITH CONTROLLED COPY STAMP

 JTL SYSTEMS LTD. 41, KINGFISHER COURT, HAMBRIDGE RD, NEWBURY, BERKSHIRE, RG14 5SJ TEL: 01635-263646 FAX: 01635-263647			
ISS	DESCRIPTION	APP'D	DATE
3	ADDED NOTE FOR SW1	MJK	10/00
2	ADDED NOTES 3, 4, 5 & 6	MJK	9/96
4	ADDED NEW PRODUCT EPxx	MJK	4/02
TITLE: 4-20mA INTERFACE WIRING (FOR CPxx & EPxx CONTROLLERS)			
TYPE: IF-4			
PROJ	DRG No:	REV	OF
CP/EP	00422	1	1
			ISS. 4