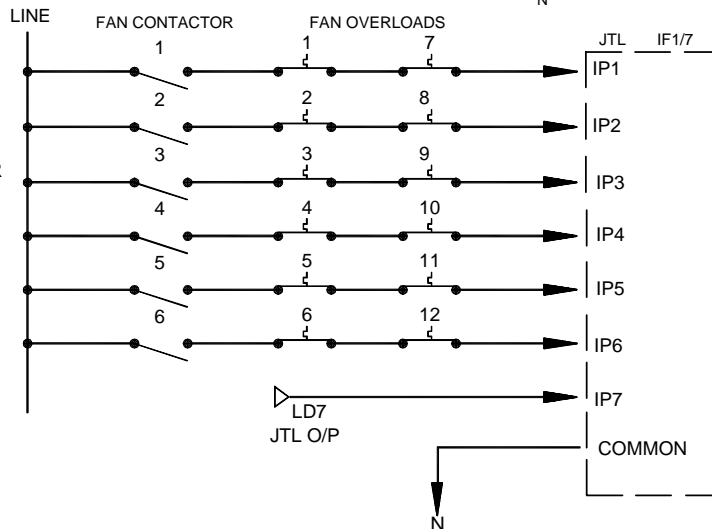


FOR USE WITH THE EXTENDED SEQUENCE A.

REFER TO CONDENSOR FAN CONTROL SECTION OF THE COMPRESSOR PACK CONTROLLER MANUAL.



THIS IS AN UNCONTROLLED COPY - UNLESS STAMPED WITH CONTROLLED COPY STAMP

ISSUE	DESCRIPTION	APP'D	DATE
2	ADDED NOTE & UPDATED TITLE	MJK	11/04
1	ORIGINAL ISSUE	MJK	3/98

TITLE: EXTENDED SEQUENCE CONDENSER FAN CONTROL



JTL SYSTEMS LTD
 41 KINGFISHER COURT, HAMBRIDGE RD,
 NEWBURY, BERKSHIRE. RG14 5SJ
 TEL: 01635 263646 FAX: 01635 263647

PROJ:	DRG No:	SHT	OF	ISS.
	02092	1	1	2