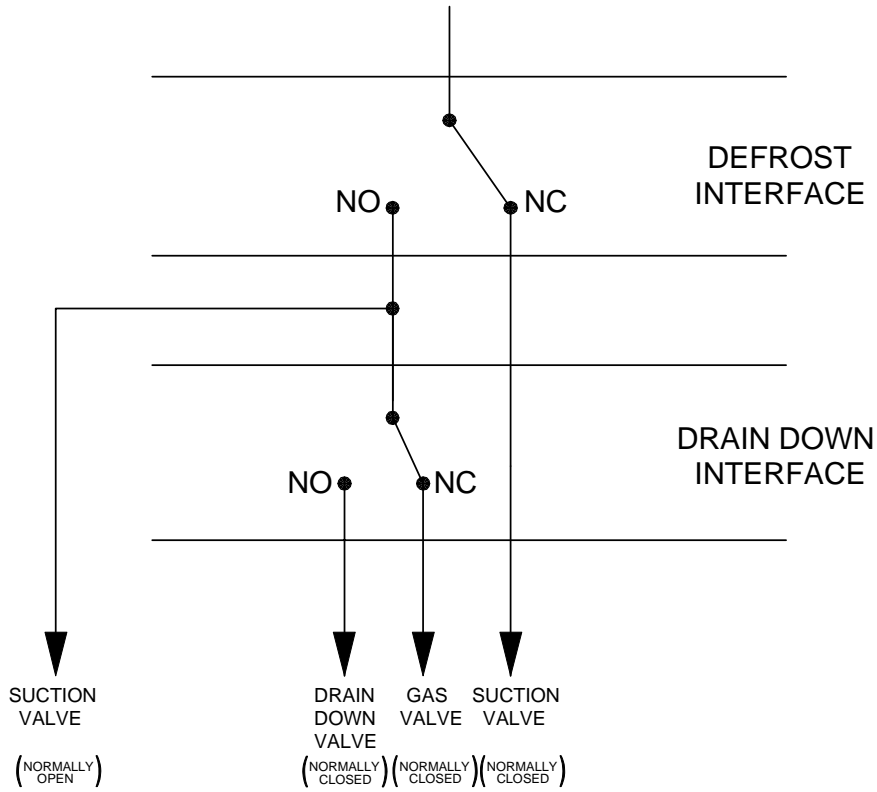


APPLICATION DRAWING
DRAIN DOWN WIRING SHOWING CHOICE
NORMALLY OPEN OR NOMALLY CLOSED
SUCTION VALVES



STATE	SUCTION VALVE	GAS VALVE	DRAIN VALVE
REFRIGERATION	OPEN	CLOSED	CLOSED
DEFROST	CLOSED	OPEN	CLOSED
DRAIN DOWN	CLOSED	CLOSED	OPEN

THIS IS AN UNCONTROLLED COPY - UNLESS STAMPED WITH CONTROLLED COPY STAMP

ISSUE	DESCRIPTION	APP'D	DATE
1	ORIGINAL ISSUE	MJK	0/05



JTL SYSTEMS LTD.
 41 KINGFISHER COURT, HAMBRIDGE RD,
 NEWBURY, BERKSHIRE. RG14 5SJ
 TEL: 01635-263646 FAX: 01635 263647

TITLE:
 APPLICATION DRAWING
 DRAIN DOWN WIRING SHOWING CHOICE FOR OPEN AND
 CLOSED SUCTION VALVES

PROJ:	DRG No:	03225	SHT	OF	ISS.
			1	1	1