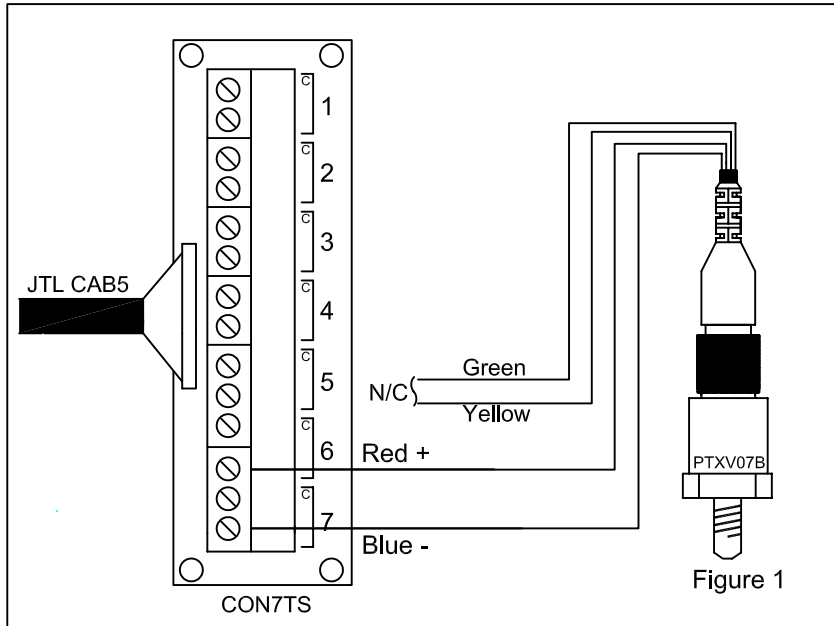
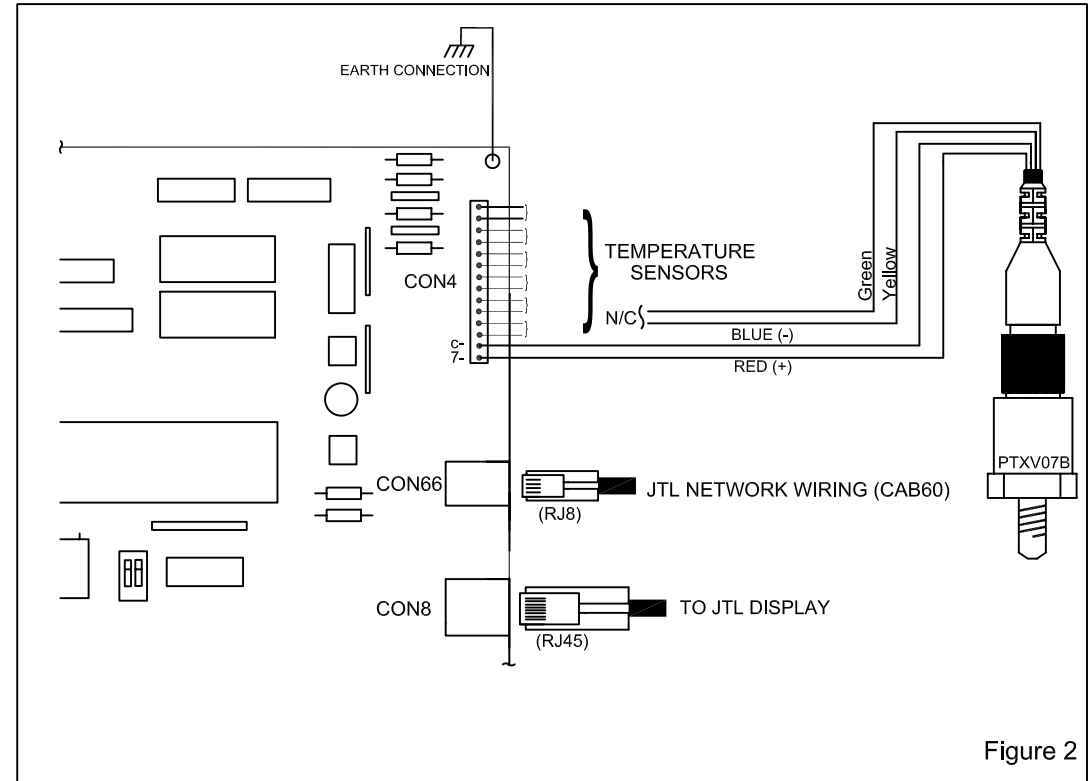


Application Drawing showing connection of PTXV07B Pressure Transducers to Controllers with Pulsed Expansion Valve support.


LCxx CONTROLLERS (LEGACY)



LAXx CONTROLLERS



N.B. PTXV07B Pressure Transducers are only to be fitted to Controllers controlling Pulsed (Electronic) Expansion Valves. This comprises a subset of the LC and LA range. Refer to product manuals for further information.

		JTL SYSTEMS LTD 41 KINGFISHER COURT, HAMBRIDGE RD, NEWBURY BERKSHIRE: RG14 5SJ TEL: 01635 263646 FAX: 01635 263647		
		ISS	DESCRIPTION	APP'D
2	MODIFIED TRANSDUCER	MJK	08/06	
1	ORIGINAL ISSUE	MJK	01/05	
TITLE:				
PTXV07B to PEV type Controllers				
TYPE: PT				
PROJ.	DRG No:	SHT	OF	ISS.
PT	03237	1	1	2