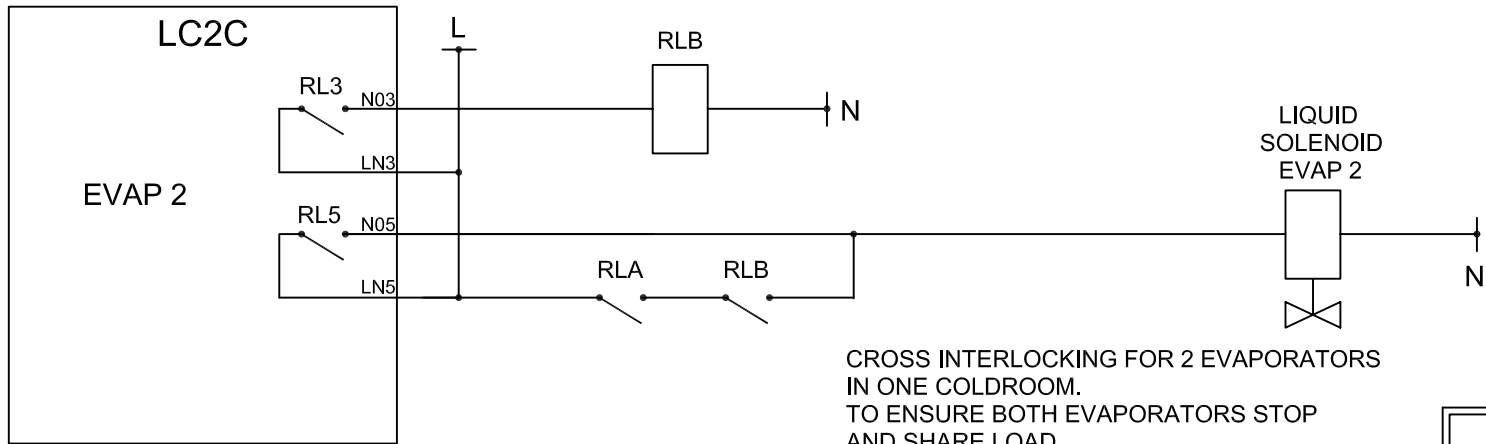
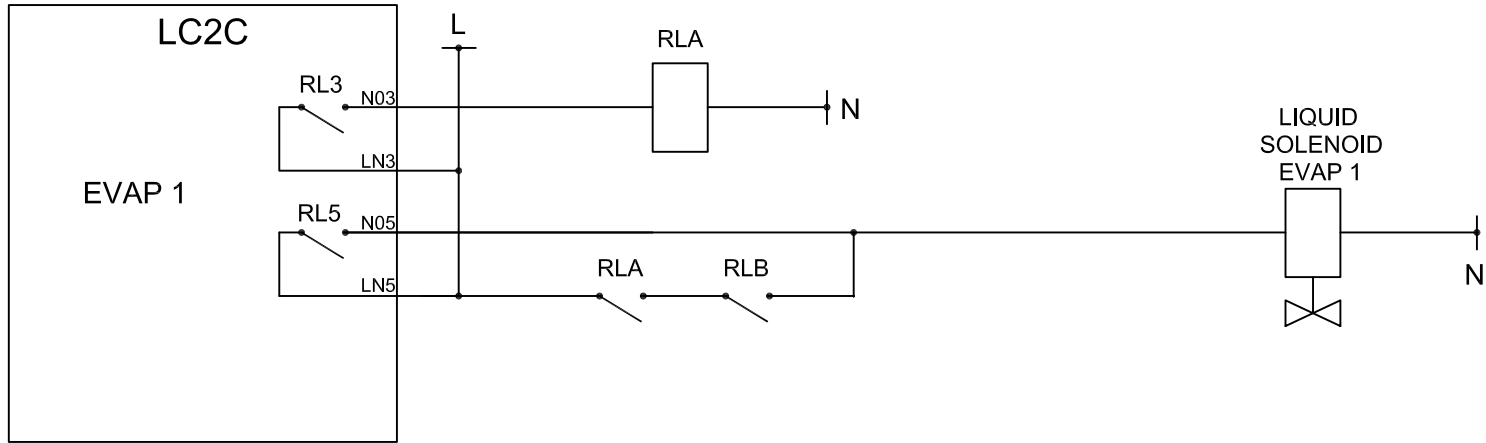


LC2C APPLICATION DRAWING



CROSS INTERLOCKING FOR 2 EVAPORATORS
IN ONE COLDROOM.
TO ENSURE BOTH EVAPORATORS STOP
AND SHARE LOAD.

THIS IS AN UNCONTROLLED COPY - UNLESS STAMPED WITH CONTROLLER COPY STAMP

		JTL SYSTEMS LTD 41 KINGFISHER COURT, HAMBRIDGE RD, NEWBURY, BERKSHIRE: RG14 5SJ TEL: 01635 263646 FAX: 01635 263647	
ISSUE	DESCRIPTION	APP'D	DATE
1	ORIGINAL ISSUE	MJK	12/06
TITLE: LC2C CONTROLLER APPLICATION DRAWING			
PROJ.	DRG No: 03317	SHT 1	OF 1
			ISS. 1