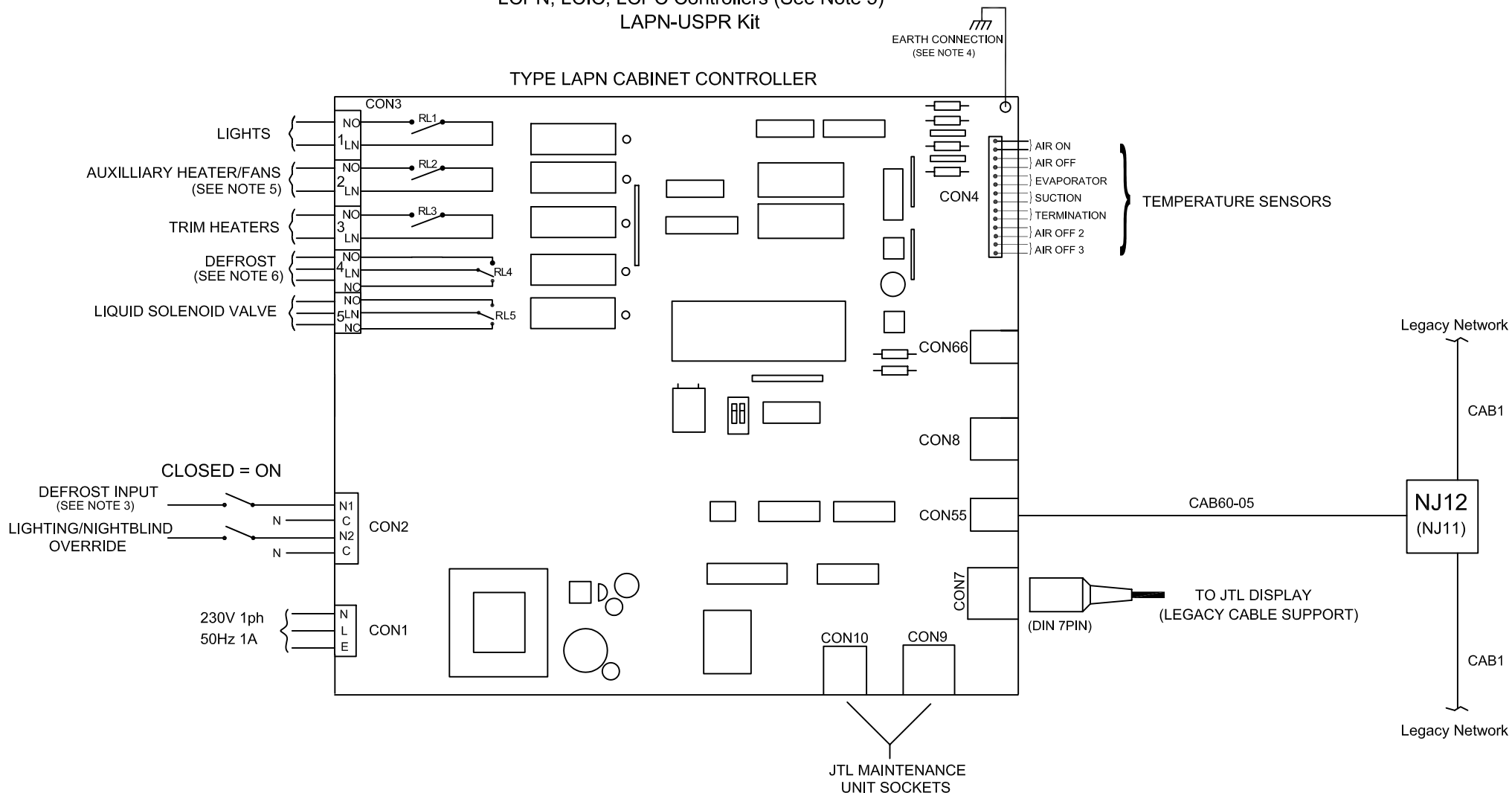


Application Drawing for Replacement of Obsolete
LCPN, LCIC, LCPC Controllers (See Note 5)
LAPN-USPR Kit


TYPE LAPN CABINET CONTROLLER



NOTES:

1. CAB66-05 DISPLAY ADAPTER CABLE ALLOWS CONNECTION TO EXISTING 5PIN DIN DISPLAY CABLE.
2. TEMPERATURE SENSORS ARE CONNECTED DIRECTLY TO SCREW TERMINALS ON BOARD, AND NO LONGER THROUGH A CON4TS BREAKOUT BOARD.
3. WHERE THE INPUT I1 IS USED REWIRING WILL BE REQUIRED. THE INPUT IS DIFFERENT TO THE ECxx RANGE. TO ACTIVATE THE INPUT LINE VOLTAGE (230Vac) IS REQUIRED WITH A NEUTRAL OR THE COMMON (C).
4. ALL INPUT, RELAY CONNECTIONS AND SUPPLY MUST BE ON THE SAME PHASE. THE METAL ENCLOSURE MUST BE EARTHED.
5. LAPN -USPR FROM FIRMWARE VERSION 0.00.6 CAN REPLACE ALL LCPN CONTROLLERS AND MOST LCIC & LCPC CONTROLLERS WHEN OPERATING MECHANICAL EXPANSION VALVES.

THIS IS AN UNCONTROLLED COPY - UNLESS STAMPED WITH CONTROLLED COPY STAMP

		JTL SYSTEMS LTD 41 KINGFISHER COURT, HAMBRIDGE RD, NEWBURY BERKSHIRE: RG14 5SJ TEL: 01635 263646 FAX: 01635 263647		
		ISS	DESCRIPTION	APP'D
2	ADDED NJ12	MJK	12/16	
1	ORIGINAL ISSUE	MJK	12/08	
TITLE: APPLICATION DRAWING FOR REPLACING LC CONTROLLERS WITH LAPN-USPR KIT				
TYPE: LAPN				
PROJ.	DRG No:	SHT	OF	ISS.
LA	03432	1	1	2