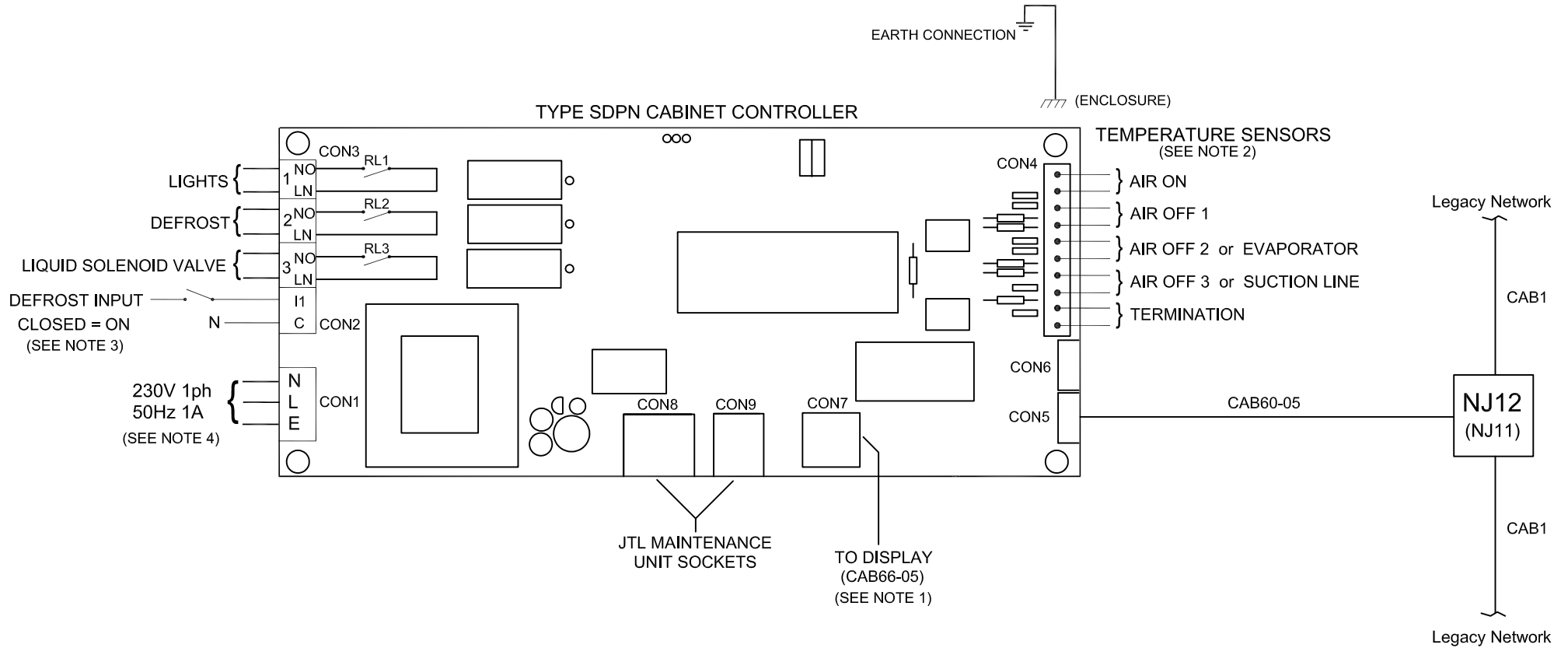


Application Drawing for Replacement of Obsolete  
EC, ECCN, ECRB, ECAS, ECED, ECLS Controllers  
SDPN-USPR Kit



**NOTES:**

1. CAB66-05 DISPLAY ADAPTER CABLE ALLOWS CONNECTION TO EXISTING 5PIN DIN DISPLAY CABLE.
2. TEMPERATURE SENSORS ARE CONNECTED DIRECTLY TO SCREW TERMINALS ON BOARD, AND NO LONGER THROUGH A CON4TS BREAKOUT BOARD.
3. WHERE THE INPUT I1 IS USED REWIRING WILL BE REQUIRED. THE INPUT IS DIFFERENT TO THE ECxx RANGE. TO ACTIVATE THE INPUT LINE VOLTAGE (230Vac) IS REQUIRED WITH A NEUTRAL OR THE COMMON (C).
4. ALL INPUT, RELAY CONNECTIONS AND SUPPLY MUST BE ON THE SAME PHASE. THE METAL ENCLOSURE MUST BE EARTHED.

THIS IS AN UNCONTROLLED COPY - UNLESS STAMPED WITH CONTROLLED COPY STAMP

		JTL SYSTEMS LTD 41 KINGFISHER COURT, HAMBRIDGE RD, NEWBURY, BERKSHIRE: RG14 5SJ TEL: 01635 263646 FAX: 01635 263647	
ISSUE	DESCRIPTION	APP'D	DATE
2	ADDED NJ12	MJK	12/16
1	ORIGINAL ISSUE	MJK	12/08
TITLE: APPLICATION DRAWING FOR REPLACING EC CONTROLLERS WITH SDPN-USPR KIT			
TYPE: SDPN			
PROJ.	DRG No: <b>03433</b>	SHT <b>1</b>	OF <b>1</b>
		ISS. <b>2</b>	