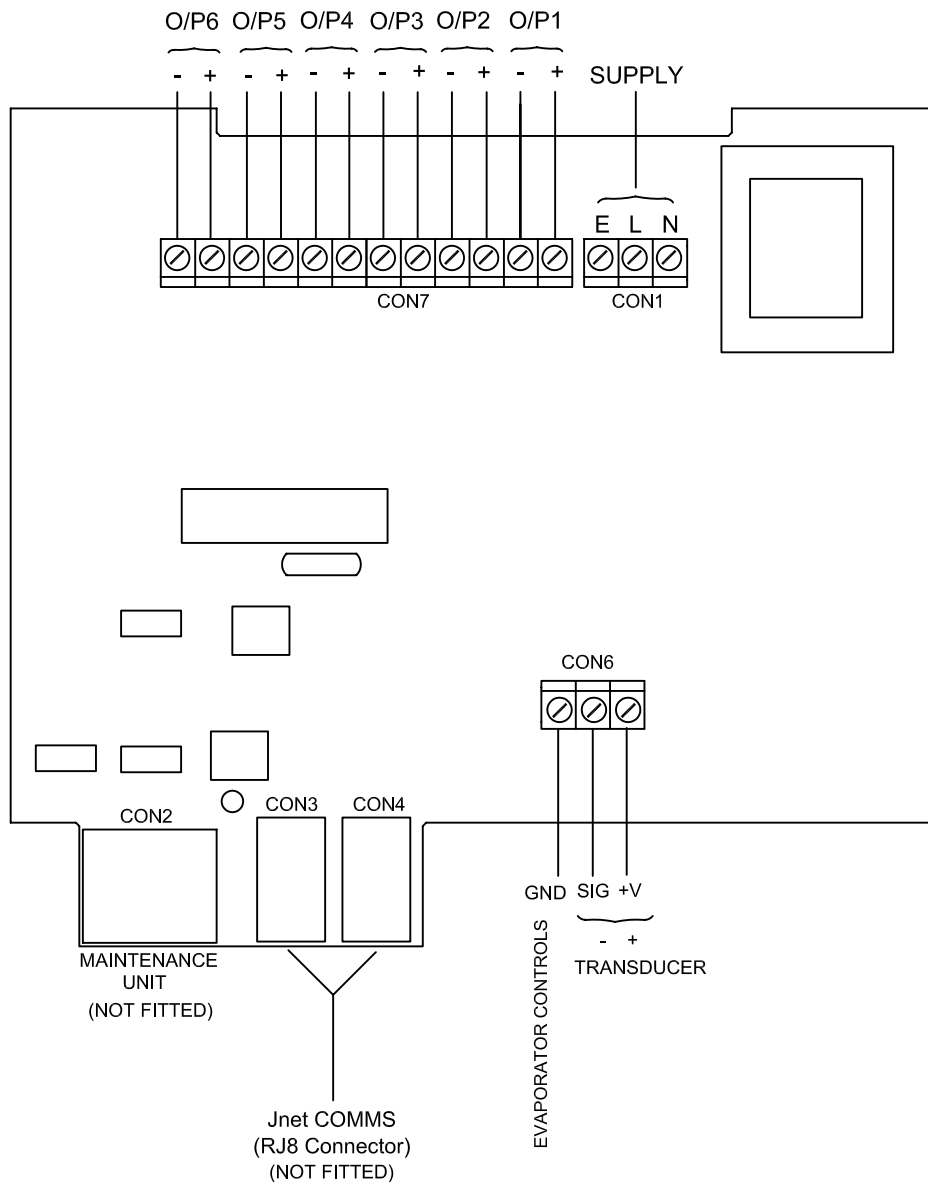


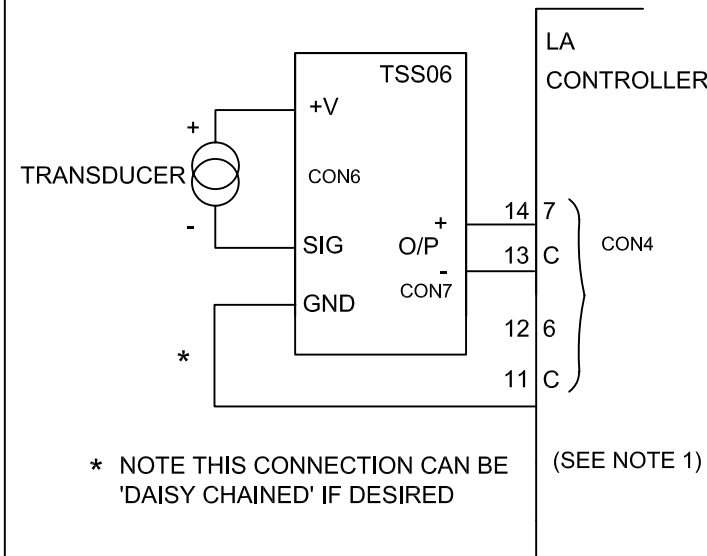
TSS06 4-20 mA TRANSDUCER SPLITTER APPLICATION DRAWING

EVAPORATOR CONTROLS



NOTE 1

The TSS06 is compatible with JTL controller types: LACI & LAP1



* NOTE THIS CONNECTION CAN BE 'DAISY CHAINED' IF DESIRED

(SEE NOTE 1)



JTL SYSTEMS LTD
41 KINGFISHER COURT, HAMBRIDGE RD,
NEWBURY BERKSHIRE: RG14 5SJ
TEL: 01635 263646 FAX: 01635 263647

ISSUE	DESCRIPTION	APP'D	DATE
3	ADDED NOTE 1	MJK	10/11
2	ADDED EVAPORATOR CONTROLS & NOTE	MJK	09/09
1	ORIGINAL ISSUE	MJK	10/08

TITLE: TSS06
4 - 20 mA TRANSDUCER SPLITTER
APPLICATION DRAWING

PROJ.	DRG No:	SHT	OF	ISS.
	03473	1	1	3