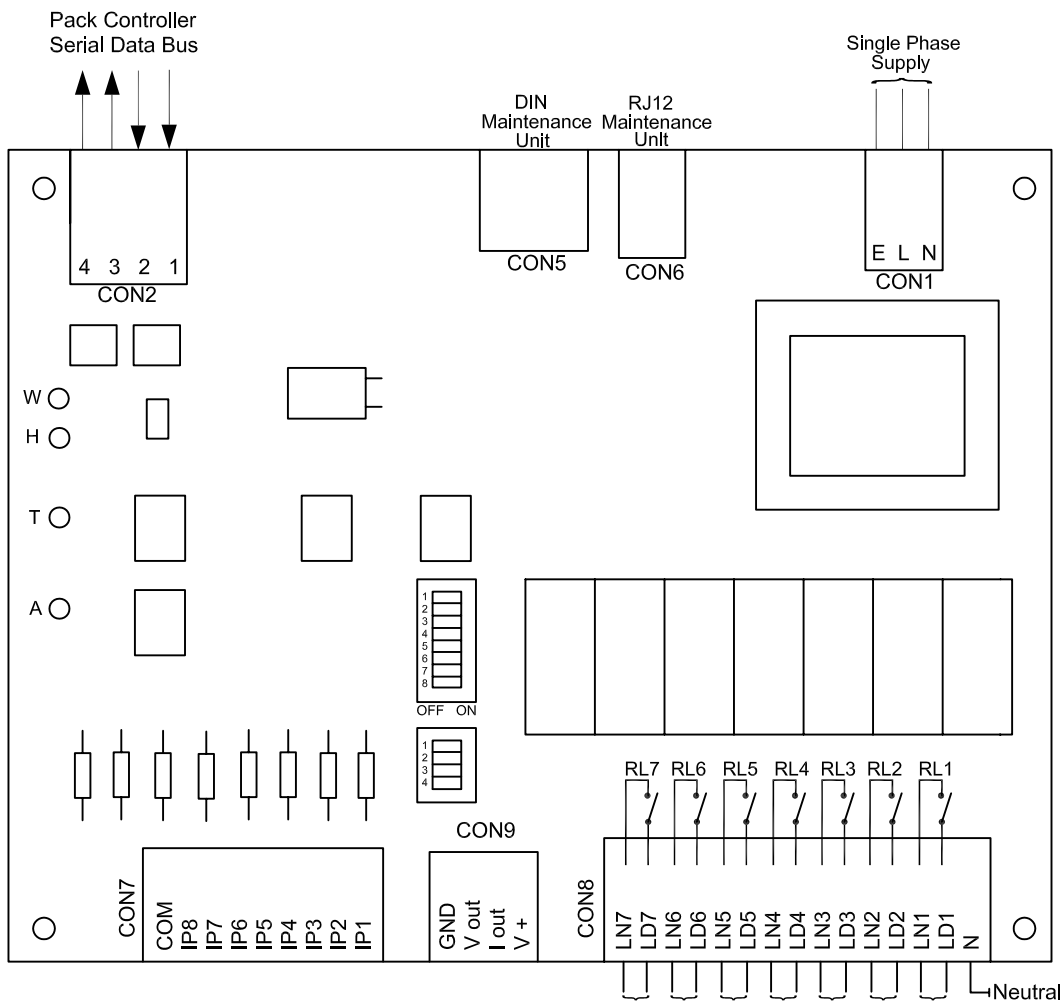


# Application Drawing for cascade output compressor control using IF14 with Pack Controllers EPIC & EPID

## Description:

JTL Plant Control Interface comprising 8 opto-isolated mains digital inputs 7 suppressed non-changeover relay outputs, and selectable current or voltage analogue output.

A JTL Maintenance Unit is used to configure this product.




CONFIGURATION		
ITEM	VALUE	FUNCTION
30	2	INTERFACE No
31	3	INTERFACE TYPE
32	0	IF11 MODE

SEE DRAWING 03425

THIS IS AN UNCONTROLLED COPY - UNLESS STAMPED WITH CONTROLLED COPY STAMP

## NOTES:

- To ensure that internally fitted suppressors work correctly, connect line voltages to terminals prefixed LN and the corresponding loads to terminals prefixed LD. Ensure neutral is connected to terminal marked N. CON8 'N' must have neutral connected to it.
- A backup value to be used if serial data bus communications fail is set on item 35.
- Interface must be configured according to function using JTL Maintenance Unit.
- IF11 may be used for this function.

		JTL SYSTEMS LTD 41 KINGFISHER COURT, HAMBRIDGE RD, NEWBURY, BERKSHIRE: RG14 5SJ TEL: 01635 263646 FAX: 01635 263647		
		ISSUE	DESCRIPTION	APP'D
1	ORIGINAL ISSUE	MJK	02/09	
TITLE: CASCADE OUTPUT COMPRESSOR INTERFACE FOR JTL PACK CONTROLLERS				
PROJ.	DRG No: <b>03510</b>	SHT 1	OF 1	ISS. 1