

Application Drawing for compressor control using IF31 with Pack Controllers EPIC & EPID

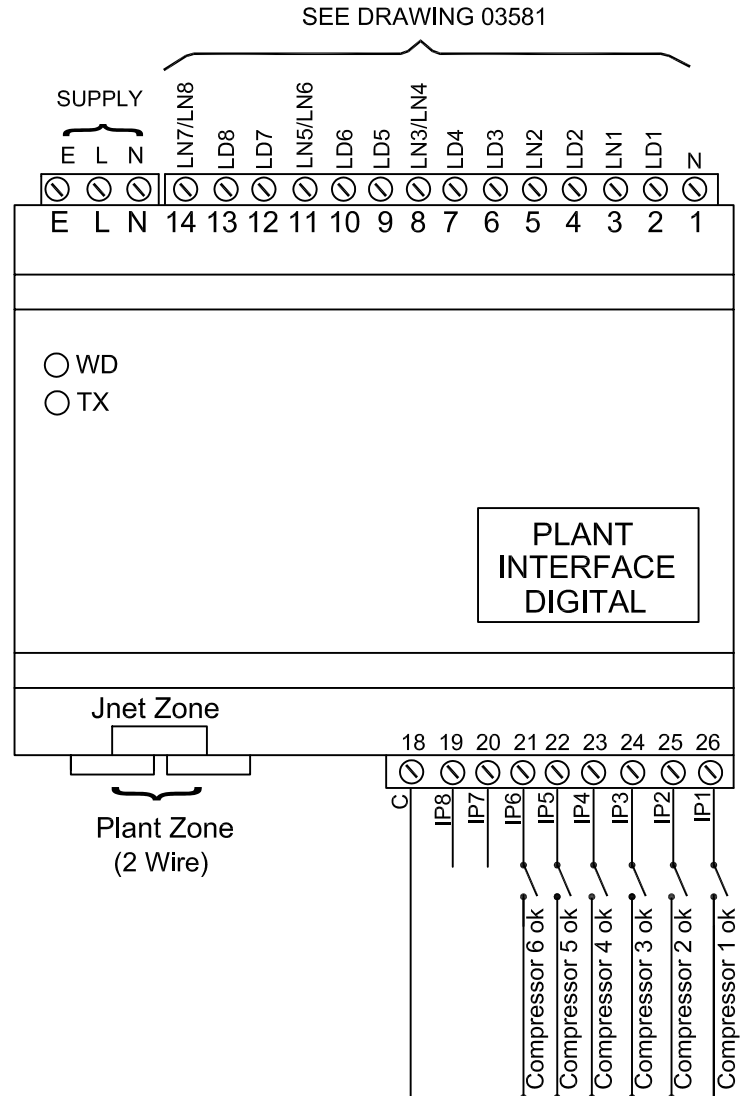
Description:

JTL Plant Control Interface comprising 8 opto-isolated mains digital inputs and 8 suppressed non-changeover relay outputs.

A JTL Maintenance Unit is used to configure this product.

CONFIGURATION A (7 outputs)		
ITEM	VALUE	FUNCTION
31	3	INTERFACE TYPE
30	1	INTERFACE No
37	1	COMMUNICATIONS PROTOCOL
36	4	COMMUNICATIONS 9600 BAUD

CONFIGURATION B (8 outputs)		
ITEM	VALUE	FUNCTION
31	3	INTERFACE TYPE
30	1	INTERFACE No
41	3	SECONDARY INTERFACE TYPE
40	2	SECONDARY INTERFACE No
37	2	COMMUNICATIONS PROTOCOL
36	4	COMMUNICATIONS 9600 BAUD



NOTES:

- To ensure that internally fitted suppressors work correctly, connect line voltages to terminals prefixed LN and the corresponding loads to terminals prefixed LD. Ensure neutral is connected to terminal marked N. Terminal 1 must have control supply neutral connected to it.
- Backup settings, to be used if serial data bus communications fail, are set on items 32 & 33.
- Interface must be configured according to function using JTL Maintenance Unit.
- Note Item 909 on the Pack Controller must be set to match Item 36. 9600 baud is recommended.



JTL SYSTEMS LTD
41 KINGFISHER COURT, HAMBRIDGE RD,
NEWBURY, BERKSHIRE: RG14 5SJ
TEL: 01635 263646 FAX: 01635 263647

ISSUE	DESCRIPTION	APP'D	DATE
3	ADDED LP210	MJK	09/10
5	REMOVED LP210, CREATED NEW DRG	MJK	08/11
4	ADDED NUMBERS TO INPUTS	MJK	10/10

TITLE:
**COMPRESSOR INTERFACE FOR
PACK CONTROLLERS EPIC & EPID**

PROJ.	DRG No:	SHT	OF	ISS.
	03582	1	1	5