

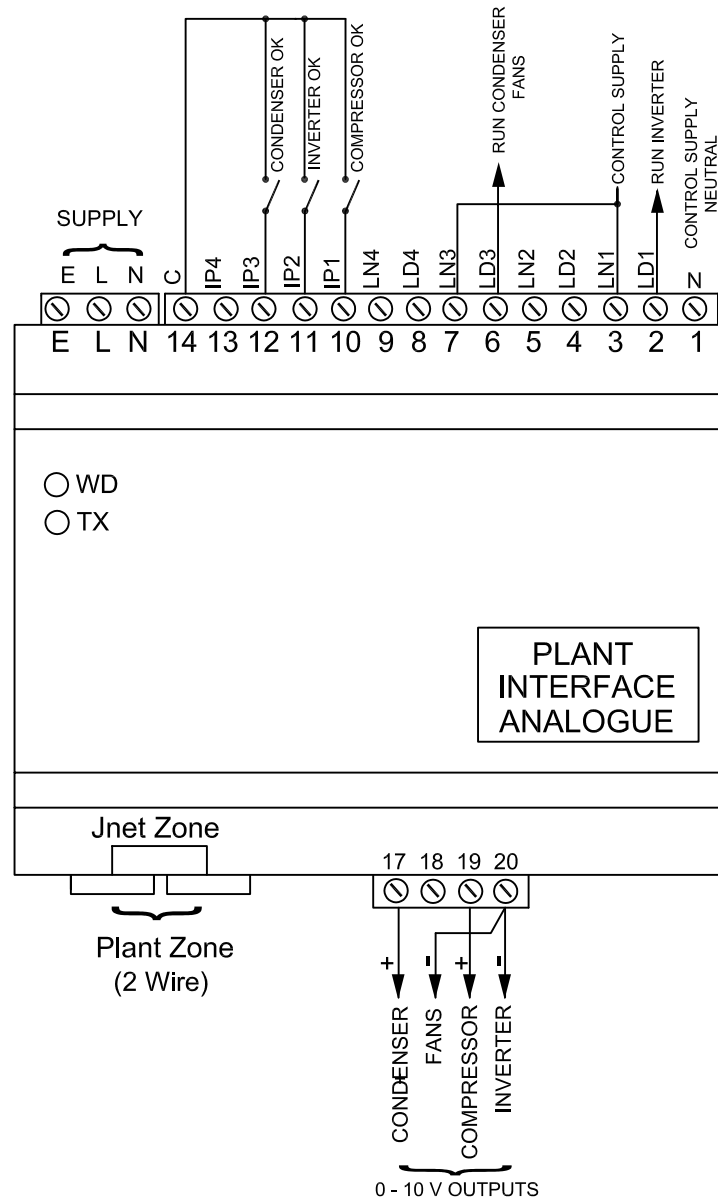
Application Drawing for 0-10 V variable output compressor & condenser control using IF35 JTL Pack Controller EPIC

Description:

JTL Plant Control Interface comprising 8 opto-isolated mains digital inputs and 8 suppressed non-changeover relay outputs.

A JTL Maintenance Unit is used to configure this product.

CONFIGURATION		
ITEM	VALUE	FUNCTION
31	7	INTERFACE TYPE (COMPRESSOR)
30	1	INTERFACE No
41	4	SECONDARY INTERFACE TYPE (CONDENSER)
40	0	SECONDARY INTERFACE No
37	2	COMMUNICATIONS PROTOCOL
36	4	COMMUNICATIONS 9600 BAUD
34	127	No OF STEPS FOR FULL OUTPUT



NOTES:

- To ensure that internally fitted suppressors work correctly, connect line voltages to terminals prefixed LN and the corresponding loads to terminals prefixed LD. Ensure neutral is connected to terminal marked N. Terminal 1 must have control supply neutral connected to it.
- Backup settings, to be used if serial data bus communications fail, are set on items 32 & 33.
- Interface must be configured according to function using JTL Maintenance Unit.
- Relay RL1 & RL3 de-energise when the associated analogue output is minimum ie 0 V.
- Voltage present on Inputs (Input connected to 'c') corresponds to input healthy.
- Note Item 909 on the EPIC must be set to match Item 36. 9600 baud is recommended.



JTL SYSTEMS LTD
41 KINGFISHER COURT, HAMBRIDGE RD,
NEWBURY, BERKSHIRE: RG14 5SJ
TEL: 01635 263646 FAX: 01635 263647

ISSUE	DESCRIPTION	APP'D	DATE
3	ADDED NUMBERS TO OUTPUTS	MJK	10/10
2	NOTE 6 ADDED, CONFIGERATION UPDATED	MJK	04/10
1	ORIGINAL ISSUE	MJK	10/09

TITLE:
0-10 V VARIABLE OUTPUT COMPRESSOR
& CONDENSER FOR JTL PACK CONTROLLERS

PROJ.	DRG No:	SHT	OF	ISS.
	03584	1	1	3