

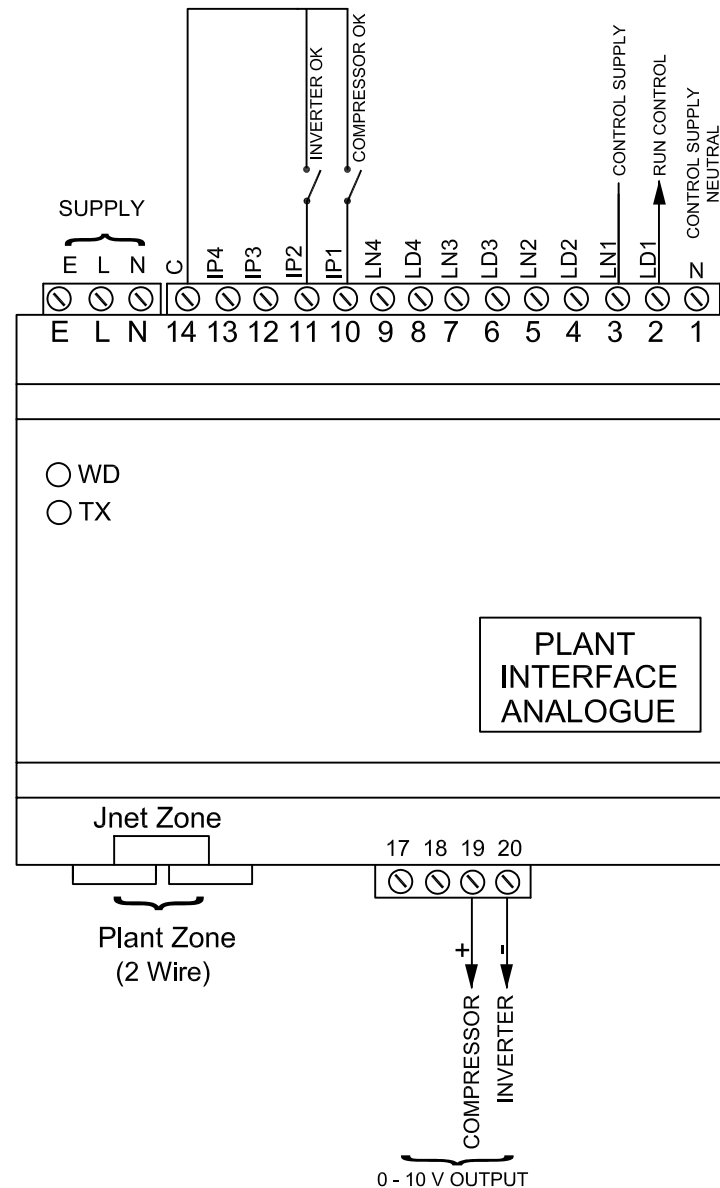
Application Drawing for 0-10 V variable output compressor using IF35 JTL Pack Controllers EPIC, EPIL, LP210 & LP220

Description:

JTL Plant Control Interface comprising 4 opto-isolated mains digital inputs, 4 suppressed non-changeover relay outputs, and a 0-10V analogue signal.

A JTL Maintenance Unit is used to configure this product.

| CONFIGURATION | | |
|---------------|-------|-----------------------------|
| ITEM | VALUE | FUNCTION |
| 31 | 7 | INTERFACE TYPE (COMPRESSOR) |
| 30 | 1 | INTERFACE No |
| 37 | 1 | COMMUNICATIONS PROTOCOL |
| 36 | 4 | COMMUNICATIONS 9600 BAUD |
| 34 | 127 | No OF STEPS FOR FULL OUTPUT |



NOTES:

- To ensure that internally fitted suppressors work correctly, connect line voltages to terminals prefixed LN and the corresponding loads to terminals prefixed LD. Ensure neutral is connected to terminal marked N. Terminal 1 must have control supply neutral connected to it.
- Backup settings, to be used if serial data bus communications fail, are set on items 32 & 33.
- Interface must be configured according to function using JTL Maintenance Unit.
- Relay RL1 de-energise when the analogue output is minimum ie 0 V.
- Voltage present on Inputs (input connected to 'c') corresponds to input healthy.
- For applications where there is a variable speed condenser for requirement see drg 03584
- Note Item 909 on the Pack Controller must be set to match Item 36. 9600 baud is recommended.



JTL SYSTEMS LTD
41 KINGFISHER COURT, HAMBRIDGE RD,
NEWBURY, BERKSHIRE: RG14 5SJ
TEL: 01635 263646 FAX: 01635 263647

| ISSUE | DESCRIPTION | APP'D | DATE |
|-------|--------------------------|-------|-------|
| 4 | ADDED NUMBERS TO OUTPUTS | MJK | 10/10 |
| 5 | ADDED LP220 | MJK | 05/12 |
| 6 | CORRECTED DESCRIPTION | RMSJ | 03/17 |

TITLE:
0-10 V VARIABLE OUTPUT COMPRESSOR
INTERFACE FOR PACK CONTROLLERS

| PROJ. | DRG No: | SHT | OF | ISS. |
|-------|---------|-----|----|------|
| | 03585 | 1 | 1 | 6 |