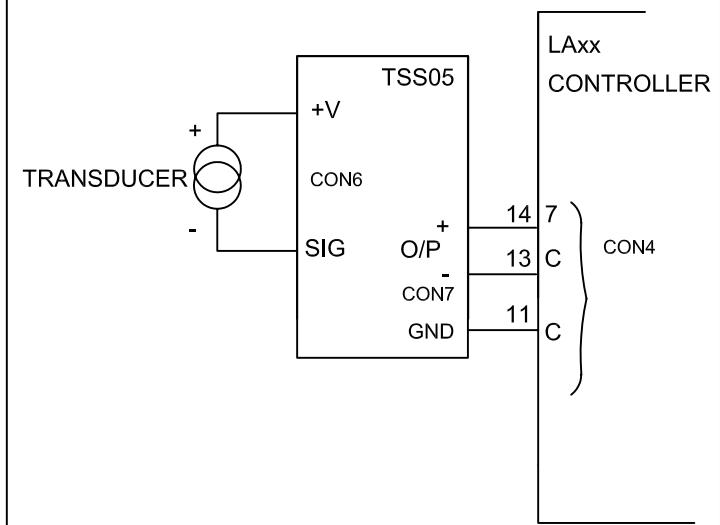
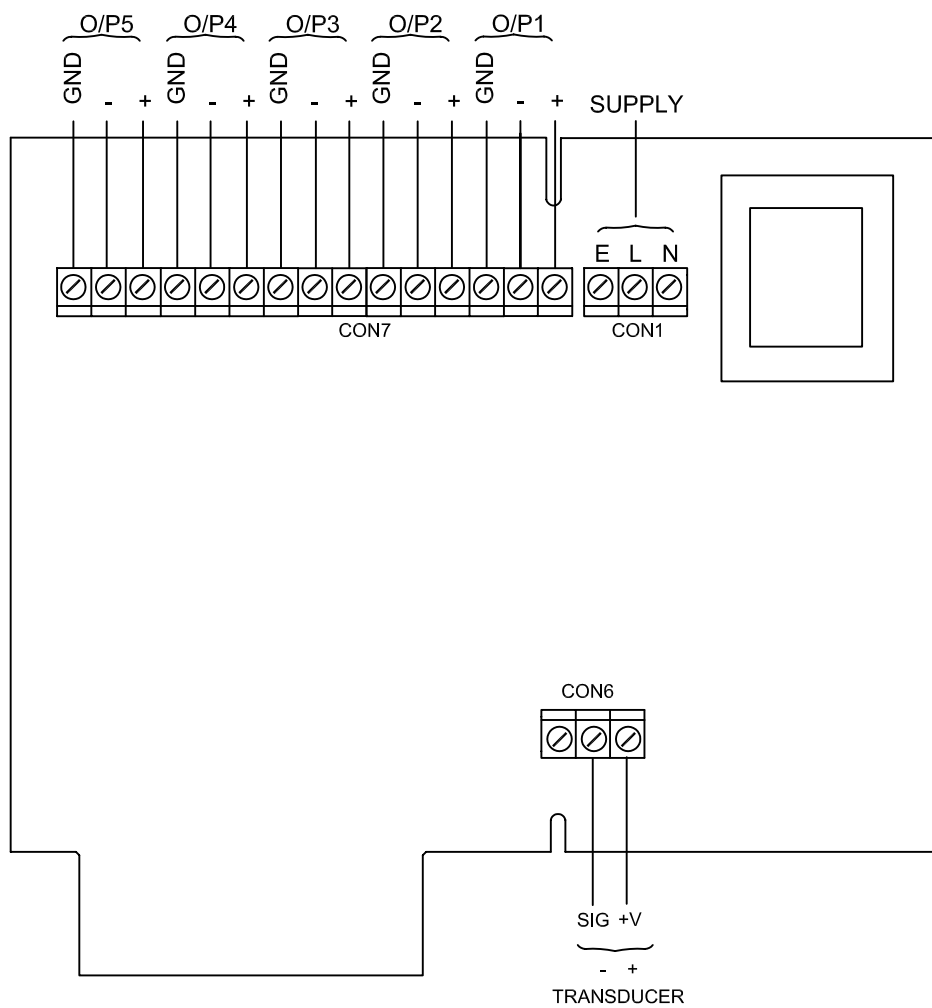



TSS05 4-20 mA TRANSDUCER SPLITTER APPLICATION DRAWING  
 FOR USE WITH JTL LACI & LAPI EVAPORATOR CONTROLLERS



THIS IS AN UNCONTROLLED COPY - UNLESS STAMPED WITH CONTROLLED COPY STAMP

		JTL SYSTEMS LTD 41 KINGFISHER COURT, HAMBRIDGE RD, NEWBURY BERKSHIRE: RG14 5SJ TEL: 01635 263646 FAX: 01635 263647		
		ISSUE	DESCRIPTION	APP'D
3	REMOVED NOTE 1 & UPDATED TITLE	MJK	03/12	
2	ADDED NOTE 1	MJK	10/11	
1	ORIGINAL ISSUE	MJK	04/10	
TITLE: TSS05 4 - 20 mA TRANSDUCER SPLITTER APPLICATION DRAWING				
PROJ.	DRG No:	SHT	OF	ISS.
	03666	1	1	3