

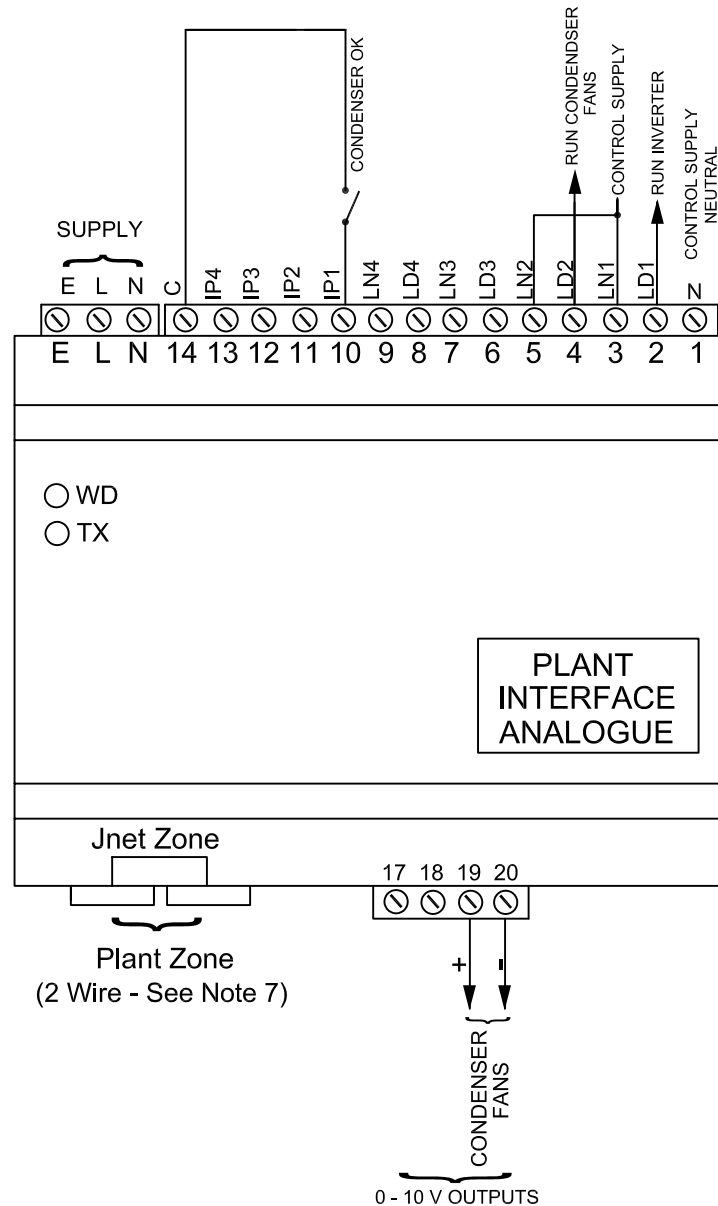
# Application Drawing for 0-10 V variable output condenser control using IF35 JTL Pack Controller EPIC

### Description:

JTL Plant Control Interface comprising 8 opto-isolated mains digital inputs and 8 suppressed non-changeover relay outputs.

A JTL Maintenance Unit is used to configure this product.

CONFIGURATION		
ITEM	VALUE	FUNCTION
31	4	INTERFACE TYPE (CONDENSER)
30	0	INTERFACE No
37	1	COMMUNICATIONS PROTOCOL
36	4	COMMUNICATIONS 9600 BAUD
34	127	No OF STEPS FOR FULL OUTPUT



### NOTES:

- To ensure that internally fitted suppressors work correctly, connect line voltages to terminals prefixed LN and the corresponding loads to terminals prefixed LD. Ensure neutral is connected to terminal marked N. Terminal 1 must have control supply neutral connected to it.
- Backup settings, to be used if serial data bus communications fail, are set on items 32 & 33.
- Interface must be configured according to function using JTL Maintenance Unit.
- Relay RL1 & RL3 de-energise when the associated analogue output is minimum ie 0 V.
- Voltage present on Inputs (inputs connected to 'c') corresponds to input healthy.
- Note Item 909 on the EP controllers must be set to match Item 36. 9600 baud is recommended. The firmware version of the EP controller must support 2 wire operation.
- The plant zone must be 2 wire. The IF31 CANNOT be mixed with 4 wire IF modules.



JTL SYSTEMS LTD  
41 KINGFISHER COURT, HAMBRIDGE RD,  
NEWBURY, BERKSHIRE: RG14 5SJ  
TEL: 01635 263646 FAX: 01635 263647

ISSUE	DESCRIPTION	APP'D	DATE
3	REMOVED EPLT & EP6U	MJK	04/11
2	ADDED EPLT & EP6U. NOTE 7 ADDED	MJK	10/10
1	ORIGINAL ISSUE	MJK	10/10

TITLE:  
0-10 V VARIABLE OUTPUT CONDENSER  
FOR JTL EPIC PACK CONTROLLERS

PROJ.	DRG No:	SHT	OF	ISS.
	03735	1	1	3