

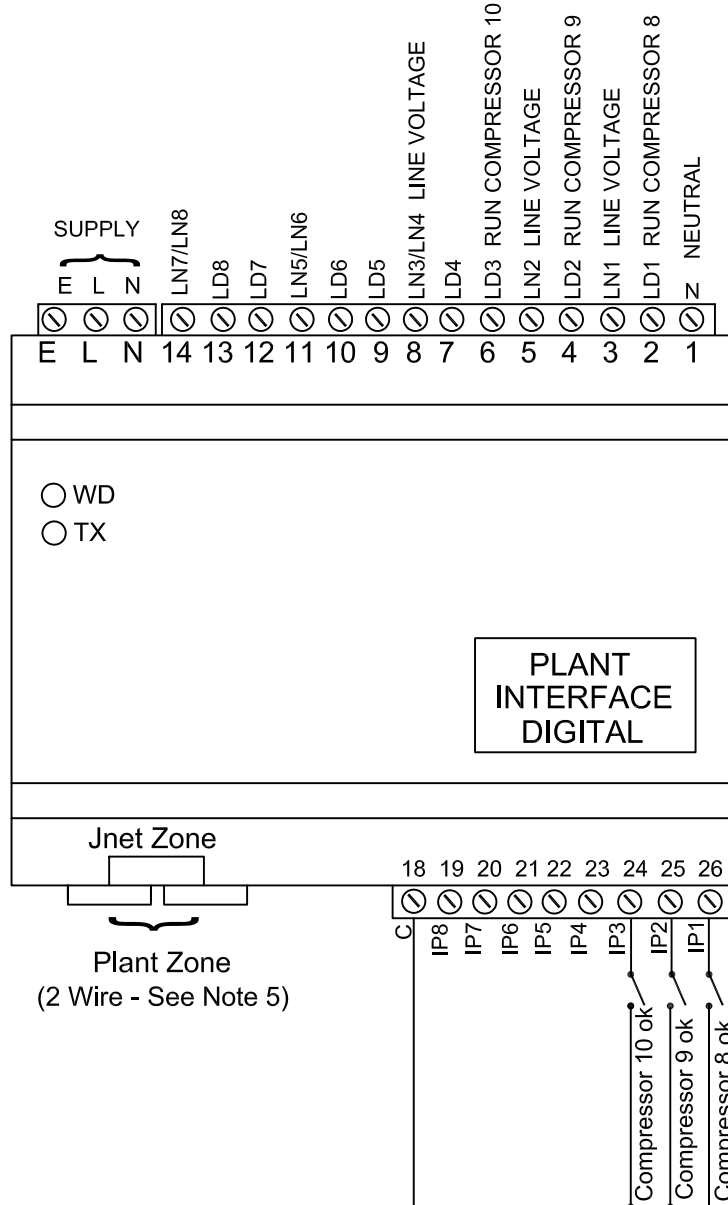
Application Drawing for cascade output compressor control using IF31 with Pack Controller EPLT

Description:

JTL Plant Control Interface comprising 8 opto-isolated mains digital inputs and 8 suppressed non-changeover relay outputs.

A JTL Maintenance Unit is used to configure this product.

CONFIGURATION		
ITEM	VALUE	FUNCTION
31	3	INTERFACE TYPE
30	2	INTERFACE No
37	1	COMMUNICATIONS PROTOCOL
36	4	COMMUNICATIONS 9600 BAUD



NOTES:

- To ensure that internally fitted suppressors work correctly, connect line voltages to terminals prefixed LN and the corresponding loads to terminals prefixed LD. Ensure neutral is connected to terminal marked N. Terminal 1 must have control supply neutral connected to it.
- Backup settings, to be used if serial data bus communications fail, are set on item 32.
- Interface must be configured according to function using JTL Maintenance Unit.
- Note Item 909 on the EP Controller must be set to match Item 36. 9600 baud is recommended. The firmware version of the EP controller must support 2 wire operation.
- The plant zone must be 2 wire. The IF31 CANNOT be mixed with 4 wire IF modules.



JTL SYSTEMS LTD
41 KINGFISHER COURT, HAMBRIDGE RD,
NEWBURY, BERKSHIRE: RG14 5SJ
TEL: 01635 263646 FAX: 01635 263647

ISSUE	DESCRIPTION	APP'D	DATE
1	ORIGINAL ISSUE	MJK	10/10

TITLE:
**CASCADE OUTPUT COMPRESSOR INTERFACE
FOR JTL PACK CONTROLLERS**

PROJ.	DRG No:	SHT	OF	ISS.
	03745	1	1	1