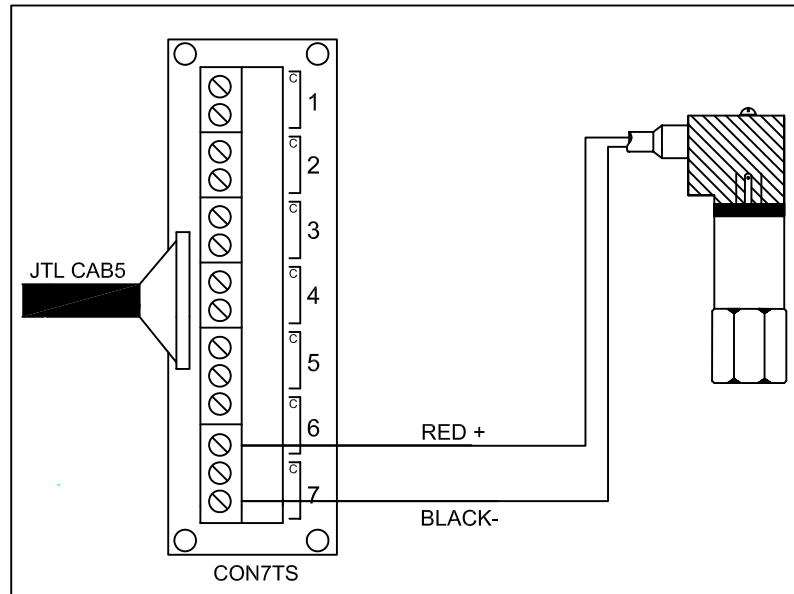


Application Drawing showing connection of PTXV07C Pressure Transducers to Controllers with Pulsed Expansion Valve support.

LCxx CONTROLLERS (LEGACY)



LAXx CONTROLLERS

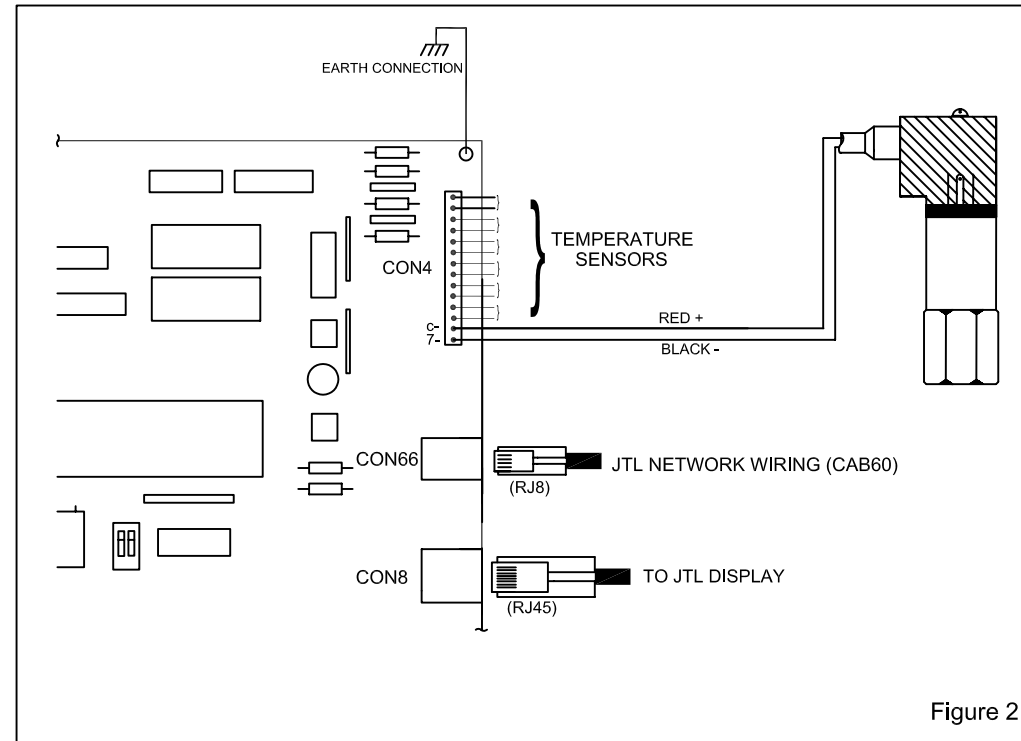



Figure 2

N.B. PTXV07C Pressure Transducers are only to be fitted to Controllers controlling Pulsed (Electronic) Expansion Valves. This comprises a subset of the LC and LA range. Refer to product manuals for further information.

 JTL SYSTEMS LTD 41 KINGFISHER COURT, HAMBRIDGE RD, NEWBURY BERKSHIRE: RG14 5SJ TEL: 01635 263646 FAX: 01635 263647			
ISS	DESCRIPTION	APP'D	DATE
1	ORIGINAL ISSUE	MJK	08/09
TITLE: PTXV07C to PEV type Controllers			
TYPE: PT			
PROJ. PT	DRG No: 03830	SHT 1	OF 1
			ISS. 1