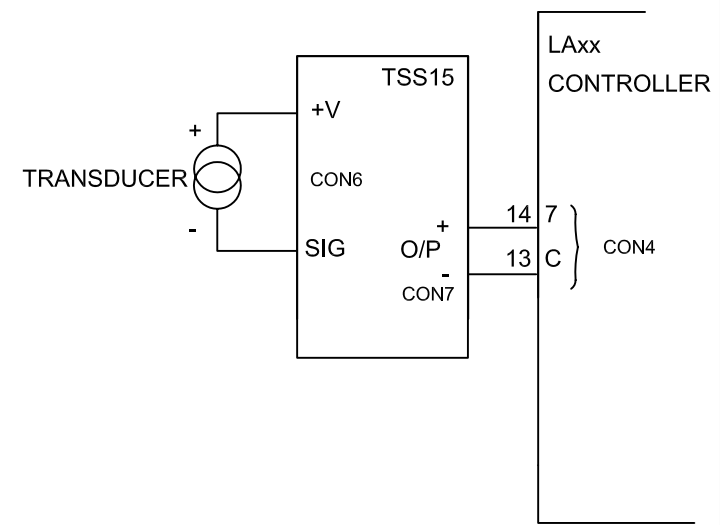
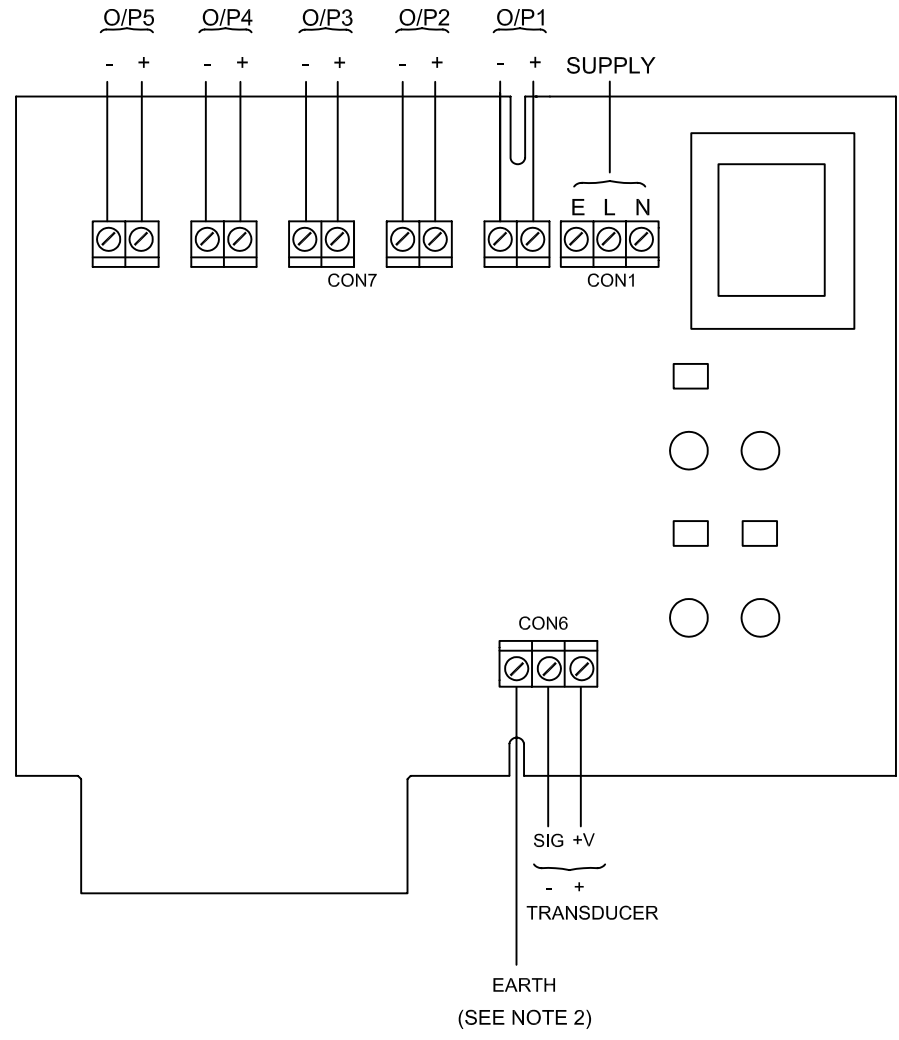


**TSS15 4-20 mA TRANSDUCER SPLITTER APPLICATION DRAWING**  
**FOR USE WITH JTL LACI & LAPI EVAPORATOR CONTROLLERS**

**NOTE:**

- 1) The ground connection on CON7 required by the TSS05 which has been replaced by TSS15 is not required and does not need to be connected. DO NOT leave the ground connection loose. Ideally disconnect this connection from the LA controller as well.
- 2) Connect the ground connection on CON6 to earth.



THIS IS AN UNCONTROLLED COPY - UNLESS STAMPED WITH CONTROLLED COPY STAMP

**JTL SYSTEMS LTD**  
 41 KINGFISHER COURT, HAMBRIDGE RD,  
 NEWBURY BERKSHIRE: RG14 5SJ  
 TEL: 01635 263646 FAX: 01635 263647

ISSUE	DESCRIPTION	APP'D	DATE
3	REMOVED NOTE 3 & UPDATED TITLE	MJK	03/12
2	ADDED EARTH TO CON6 & NOTES 2 & 3	MJK	10/11
1	ORIGINAL ISSUE	MJK	07/11

TITLE:  
**TSS15**  
**4 - 20 mA TRANSDUCER SPLITTER**  
**APPLICATION DRAWING**

PROJ.	DRG No: <b>03859</b>	SHT	OF	ISS.
		<b>1</b>	<b>1</b>	<b>3</b>