

# Application Drawing for compressor control using IF31 with Pack Controller LP210 & LP220

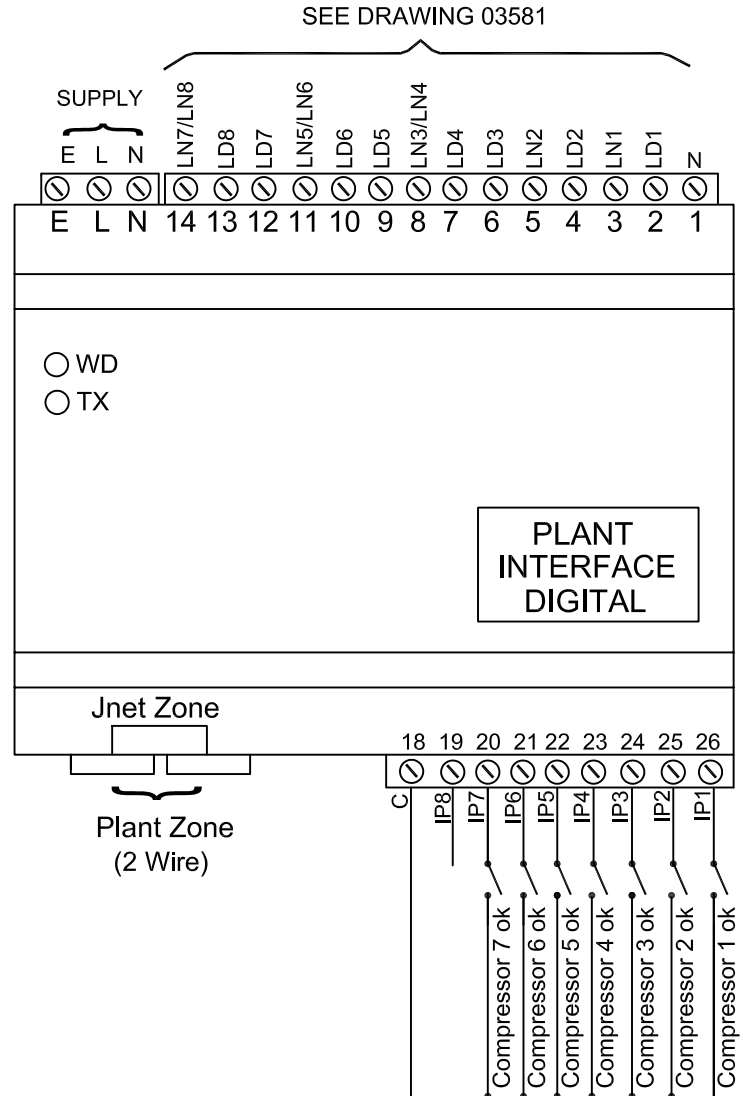
## Description:

JTL Plant Control Interface comprising 8 opto-isolated mains digital inputs and 8 suppressed non-changeover relay outputs.

A JTL Maintenance Unit is used to configure this product.

CONFIGURATION A (7 outputs)		
ITEM	VALUE	FUNCTION
31	3	INTERFACE TYPE
30	1	INTERFACE No
37	1	COMMUNICATIONS PROTOCOL
36	4	COMMUNICATIONS 9600 BAUD

CONFIGURATION B (8 outputs)		
ITEM	VALUE	FUNCTION
31	3	INTERFACE TYPE
30	1	INTERFACE No
41	3	SECONDARY INTERFACE TYPE
40	2	SECONDARY INTERFACE No
37	2	COMMUNICATIONS PROTOCOL
36	4	COMMUNICATIONS 9600 BAUD



## NOTES:

- To ensure that internally fitted suppressors work correctly, connect line voltages to terminals prefixed LN and the corresponding loads to terminals prefixed LD. Ensure neutral is connected to terminal marked N. Terminal 1 must have control supply neutral connected to it.
- Backup settings, to be used if serial data bus communications fail, are set on items 32 & 33.
- Interface must be configured according to function using JTL Maintenance Unit.
- Note Item 909 on the Pack Controller must be set to match Item 36. 9600 baud is recommended.

**JTL SYSTEMS LTD**  
 41 KINGFISHER COURT, HAMBRIDGE RD,  
 NEWBURY, BERKSHIRE: RG14 5SJ  
 TEL: 01635 263646 FAX: 01635 263647

ISSUE	DESCRIPTION	APPD	DATE
2	ADDED LP220	MJK	05/12
1	ORIGINAL ISSUE	MJK	08/11

TITLE: **COMPRESSOR INTERFACE FOR  
PACK CONTROLLERS LP210 & LP220**

PROJ.	DRG No:	SHT	OF	ISS.
	<b>03866</b>	<b>1</b>	<b>1</b>	<b>2</b>

THIS IS AN UNCONTROLLED COPY - UNLESS STAMPED WITH CONTROLLED COPY STAMP