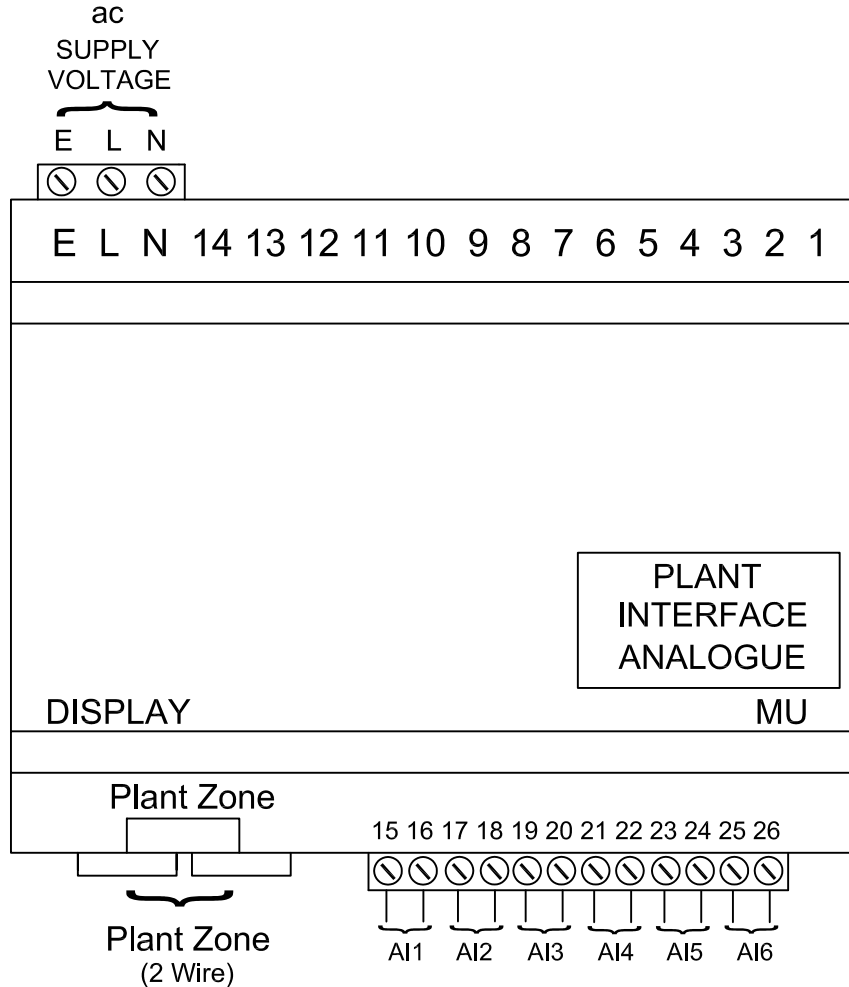


IF51 TEMPERATURE INTERFACE APPLICATION DRAWING FOR USE WITH HP260

Analogue Connections

INPUT		
AI1	PT1000	Heat Reclaim EFT RTN
AI2	PT1000	Heat Reclaim LFT Flow
AI3	PT1000	Heat Reclaim Gas Out
AI4	PT1000	Ambient
AI5	PT1000	Not used
AI6	PT1000	Not used

CONFIGURATION		
ITEM	VALUE	FUNCTION
30	1	INTERFACE NO
37	3	COMMUNICATIONS PROTOCOL MODBUS RTU
36	4	COMMUNICATIONS 9600 BAUD



NOTES:

- Interface must be configured according to function using JTL Maintenance Unit.
- Note Item 909 on the HP260 Controller must be set to match Item 36. 9600 baud is recommended.



JTL SYSTEMS LTD
41 KINGFISHER COURT, HAMBRIDGE RD,
NEWBURY, BERKSHIRE: RG14 5SJ
TEL: 01635 263646 FAX: 01635 263647

ISSUE	DESCRIPTION	APP'D	DATE
3	REMOVED ORIGINAL NOTES 1 & 2	RSMJ	06/14
2	ADDED CONFIG TABLE & NOTES 3 & 4	MJK	11/13
1	ORIGINAL ISSUE	MJK	09/13

TITLE:
**IF51 TEMPERATURE INTERFACE
APPLICATION DRAWING**

PROJ.	DRG No:	SHT	OF	ISS.
	04191	1	1	3