

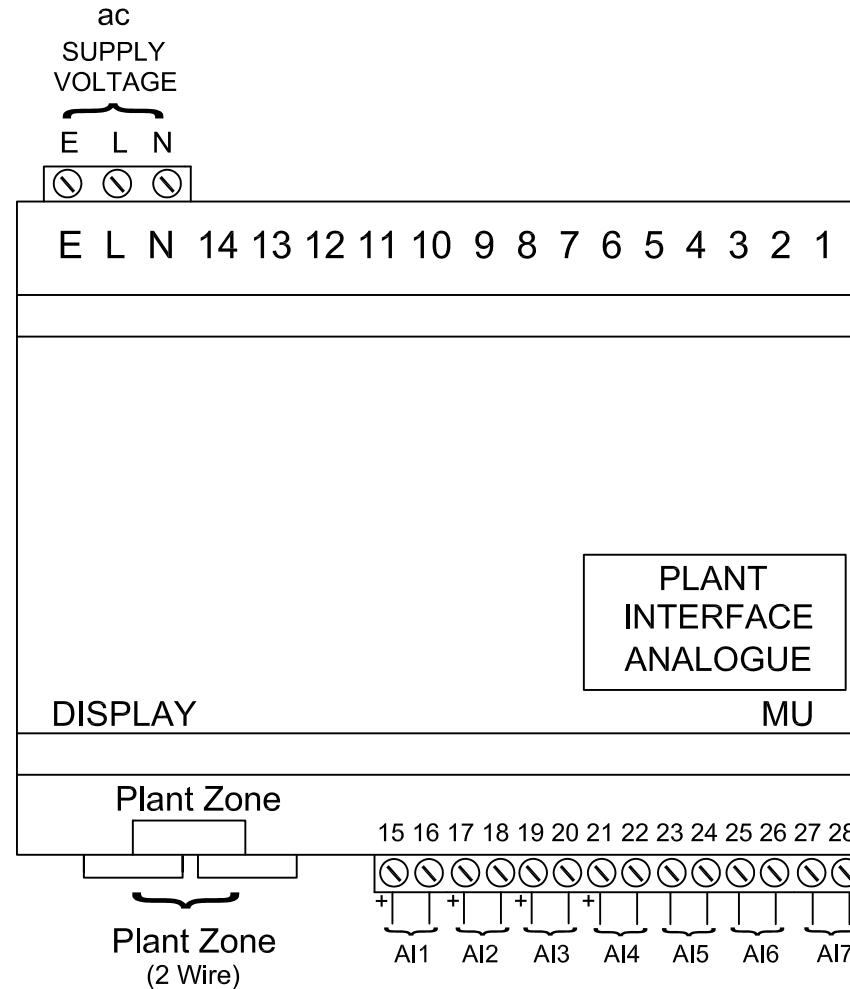
# IF52 VOLTAGE INTERFACE

## APPLICATION DRAWING FOR USE WITH HP260

### Analogue Connections

INPUT		
AI1	0-10V	Heating Demand
AI2	0-10V	Heatsink Capacity
AI3	0-10V	Buffer Tank Top
AI4	0-10V	Pump Speed
AI5	NOT USED	Not used
AI6	NOT USED	Not used
AI7	NOT USED	Not used

CONFIGURATION		
ITEM	VALUE	FUNCTION
30	2	INTERFACE NO
37	3	COMMUNICATIONS PROTOCOL MODBUS RTU
36	4	COMMUNICATIONS 9600 BAUD



### NOTES:

- Interface must be configured according to function using JTL Maintenance Unit.
- Note Item 909 on the HP260 Controller must be set to match Item 36. 9600 baud is recommended.



JTL SYSTEMS LTD  
 41 KINGFISHER COURT, HAMBRIDGE RD,  
 NEWBURY, BERKSHIRE: RG14 5SJ  
 TEL: 01635 263646 FAX: 01635 263647

ISSUE	DESCRIPTION	APP'D	DATE
3	REMOVED ORIGINAL NOTES 1 & 2	RSMJ	06/14
2	ADDED CONFIG TABLE & NOTES 3 & 4	MJK	11/13
1	ORIGINAL ISSUE	MJK	09/13

TITLE:  
**IF52 VOLTAGE INTERFACE  
 APPLICATION DRAWING**

PROJ.	DRG No:	SHT	OF	ISS.
	04192	1	1	3