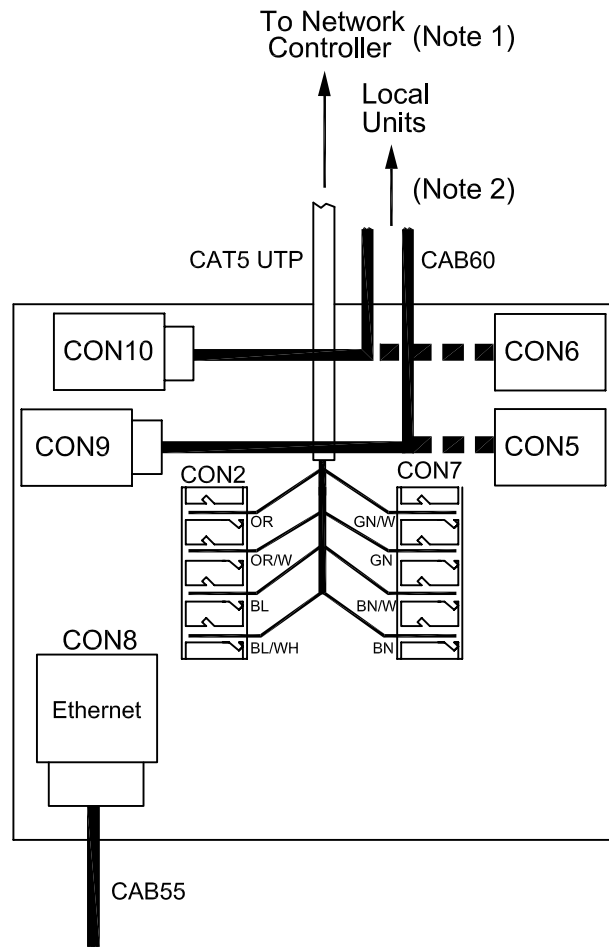


NJ61

For Jnet network using blue or brown pair
including ethernet shared in a single CAT5 cable (Note 1)
Application Drawing



Junction will connect between all of the following:

Jnet:

- 2 x CAB60 (RJ8 connectors - blue or brown pair)
- 1 x CAT5 UTP (IDC connector BL & BL/W or BN & BN/W pair)

Ethernet:

- 1 x CAT5 UTP (IDC connector OR & OR/W and GN & GN/W pairs)
- 1 x CAB55 (RJ45 connector)

NOTE:

1. Separated termination required at Network Controller patch panel if using ethernet and Jnet on same cable. Cable length restrictions apply for ethernet - 100m including patch leads.
2. Jnet connection to local units is made on blue pair or brown pair (legacy) not both.

THIS IS AN UNCONTROLLED COPY - UNLESS STAMPED WITH CONTROLLED COPY STAMP

| ISSUE | DESCRIPTION | APP'D | DATE |
|-------|----------------|-------|-------|
| 1 | ORIGINAL ISSUE | RMSJ | 10/15 |



JTL SYSTEMS LTD.

41 KINGFISHER COURT, HAMBRIDGE RD,
NEWBURY, BERKSHIRE, RG14 5SJ
TEL: 01635-263646 FAX: 01635 263647

TITLE: NJ61 for Jnet network using blue or brown pair with ethernet in CAT5 cable
Application Drawing

| | | | | |
|-------|---------|-----|----|------|
| PROJ: | DRG No: | SHT | OF | ISS. |
| | 04569 | 1 | 1 | 1 |