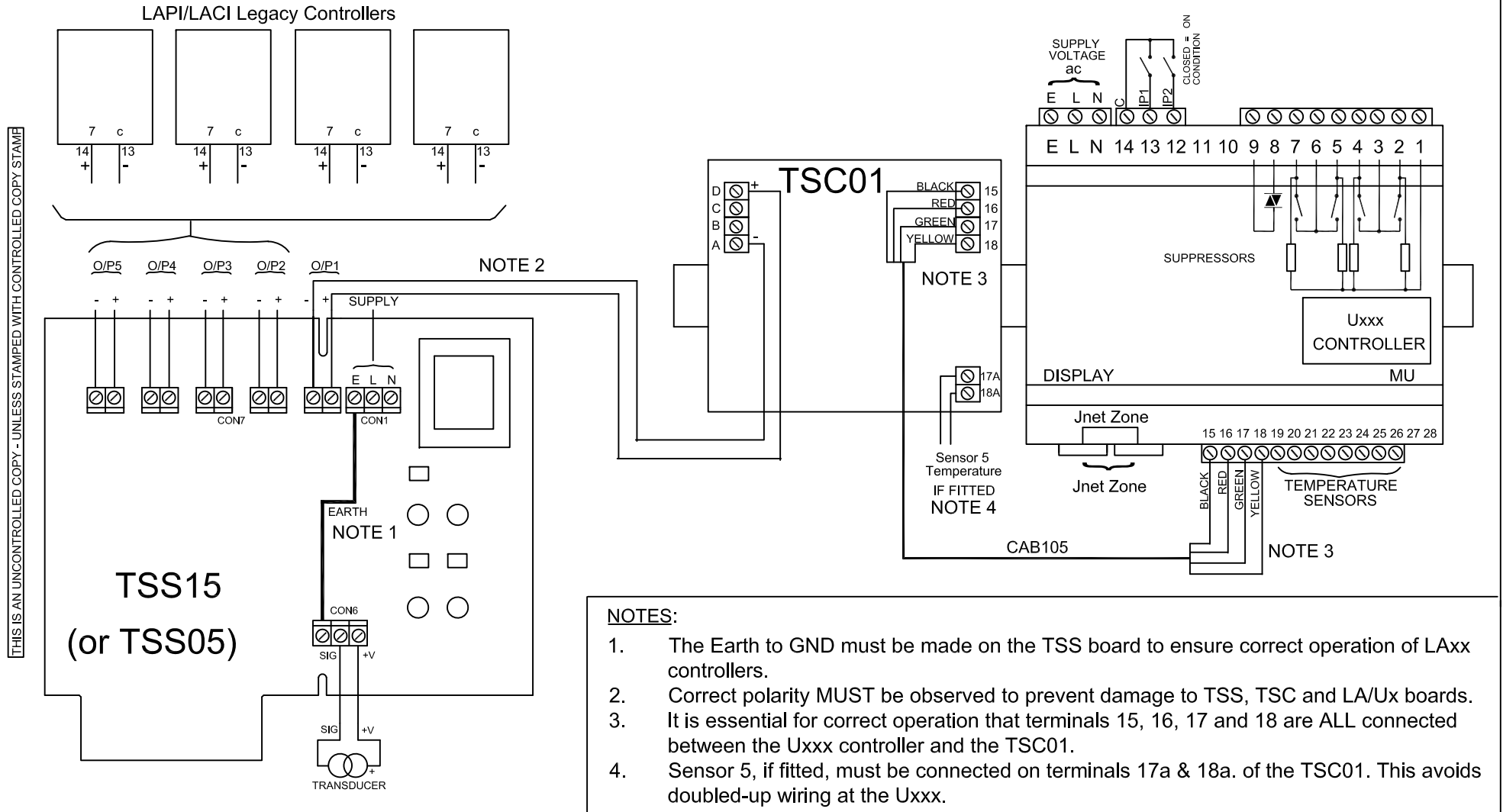



TSC01 INTERFACE BETWEEN TSS05/TSS15 AND Uxxx TYPE CONTROLLERS



NOTES:

1. The Earth to GND must be made on the TSS board to ensure correct operation of LAXx controllers.
2. Correct polarity MUST be observed to prevent damage to TSS, TSC and LA/Ux boards.
3. It is essential for correct operation that terminals 15, 16, 17 and 18 are ALL connected between the Uxxx controller and the TSC01.
4. Sensor 5, if fitted, must be connected on terminals 17a & 18a. of the TSC01. This avoids doubled-up wiring at the Uxxx.

TITLE: TSC01 INTERFACE BETWEEN TSS05/TSS15 & Uxxx TYPE CONTROLLERS		PROJ:		ISSUE	DESCRIPTION	APP'D	DATE
 JTL SYSTEMS LTD 41 KINGFISHER COURT, HAMBRIDGE RD, NEWBURY BERKSHIRE, RG14 5SJ TEL: 01493 263646 FAX: 01493 263647		DRG TYPE: APPLICATION DRAWING		DRG No: 05149	SHT OF ISS. 2 OF 2	2 UBxx ADDED	SzN 03/19
					1 ORIGINAL ISSUE	SzN 09/18	