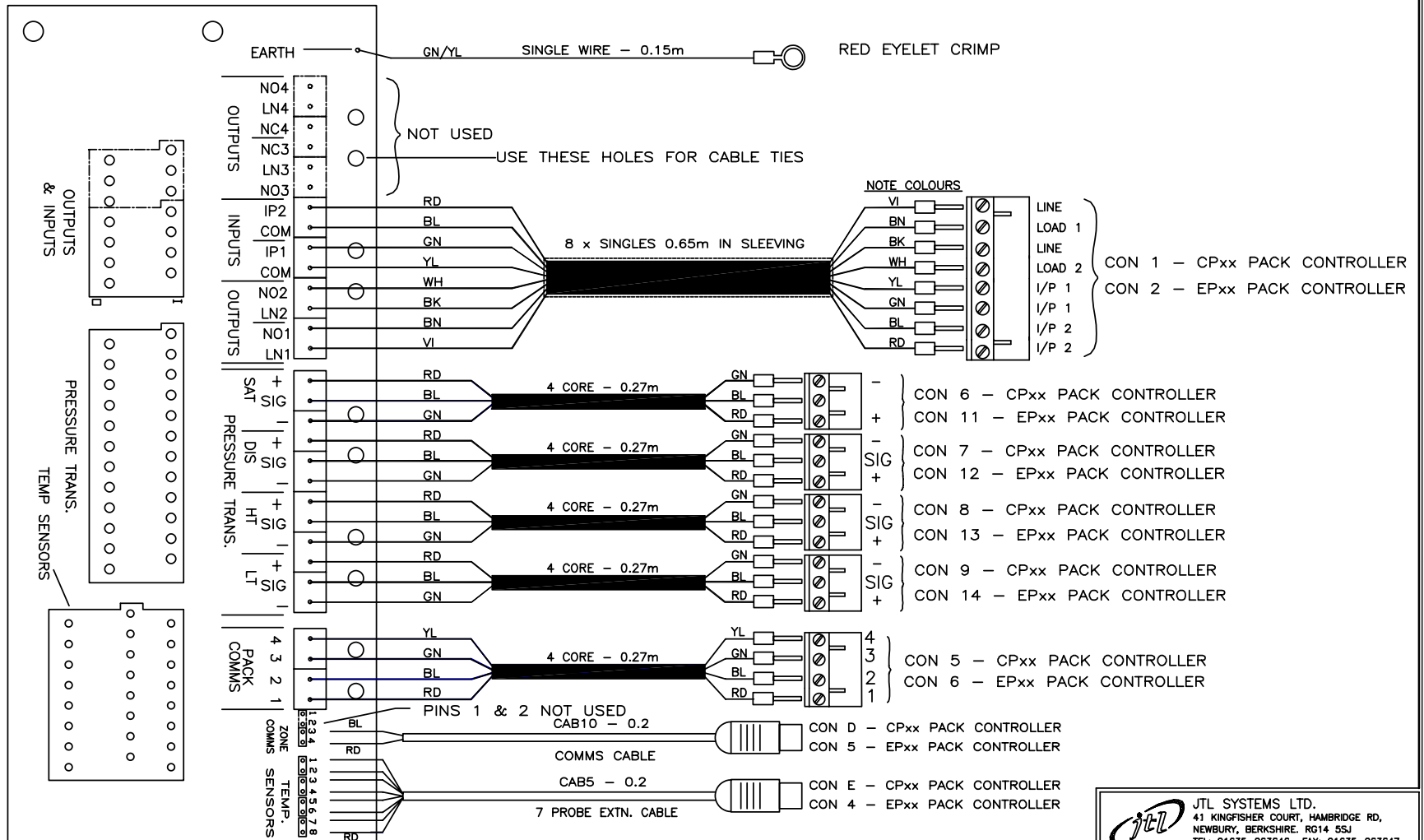


CP CONNECTOR PCB
PC 00530 ISS 2



* NOTE CP CONNECTOR BOARD MARKING MAYBE WRONG COMPARED WITH THIS DRAWING.

JTL SYSTEMS LTD. 41 KINGFISHER COURT, HAMBRIDGE RD, NEWBURY, BERKSHIRE, RG14 5SJ TEL: 01635-263648 FAX: 01635-263647			
ISS	DESCRIPTION	APP'D	DATE
9	ADDED NEW PRODUCT EP	MJK	4/02
8	CHANGED WIRING LAYOUT	MJK	1/97
10	ZONE COMMS AMENDED, NOTE ADDED	MJK	11/02
TITLE CP & EP BOX CONNECTOR PCB CONNECTOR PCB WIRING TYPE: CPxx-BD & EPxx-BD			
PROJ.	DRG No:	SHT OF	ISS
CP/EP	00557	1 1	10