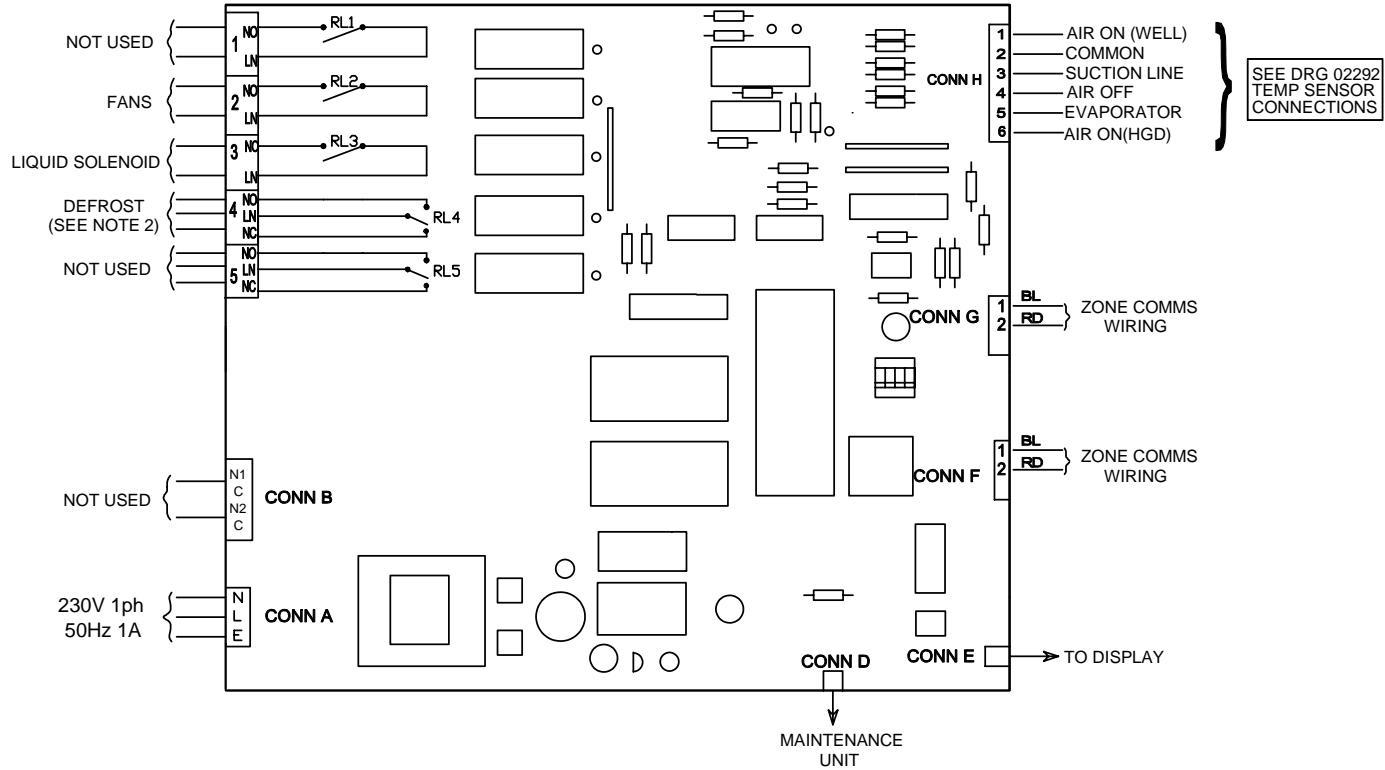


TYPE LCAL CABINET CONTROLLER



IMPORTANT NOTES:

1. TO ENSURE THAT INTERNALLY FITTED SUPPRESSORS WORK CORRECTLY: ENSURE THAT LINE VOLTAGE IS CONNECTED TO TERMINALS MARKED 'LN' AND EACH LOAD IS CONNECTED TO TERMINALS MARKED 'NO' OR 'NC'
2. THE DEFROST OUTPUT CAN BE USED FOR DEFROST TERMINATION OR DEFROST CONTROL(SEE ITEM 76 DETAIL IN MANUAL).

THIS IS AN UNCONTROLLED COPY - UNLESS STAMPED WITH CONTROLLED COPY STAMP

JTL SYSTEMS LTD 41 KINGFISHER COURT, HAMBRIDGE RD, NEWBURY, BERKSHIRE, RG14 5SJ TEL:01635 263646 FAX:01635 263647			
ISS	DESCRIPTION	APP'D	DATE
2	ADDED NOTE FOR TEMP SENSORS	MJK	8/98
1	ORIGINAL ISSUE	PT	4/93
TITLE: CABINET CONTROLLER WIRING			
TYPE: LCAL			
PROJ	DRG No:	SHT	OF
LC	00696	1	1
			ISS
			2