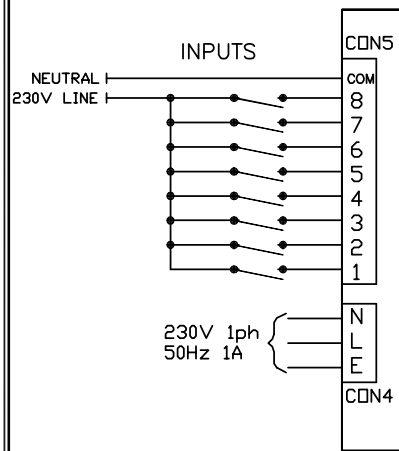
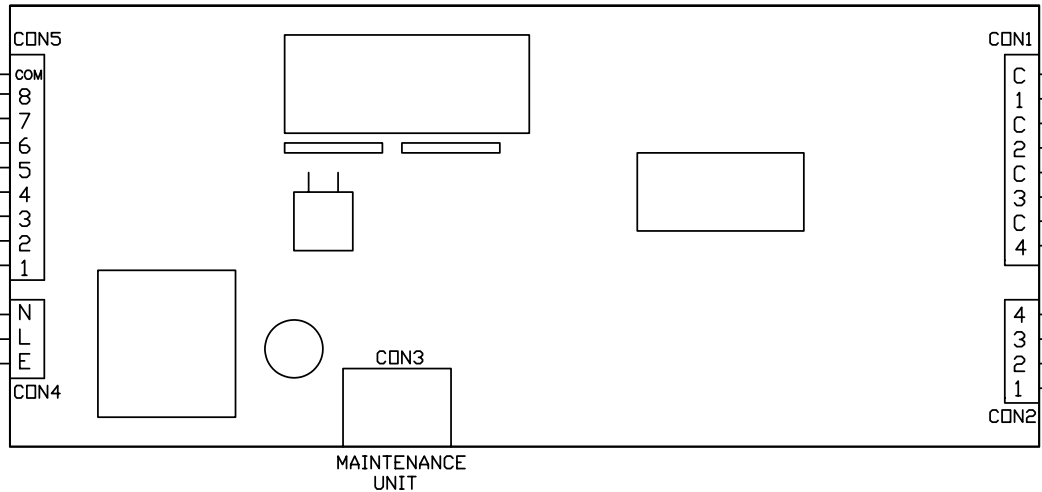


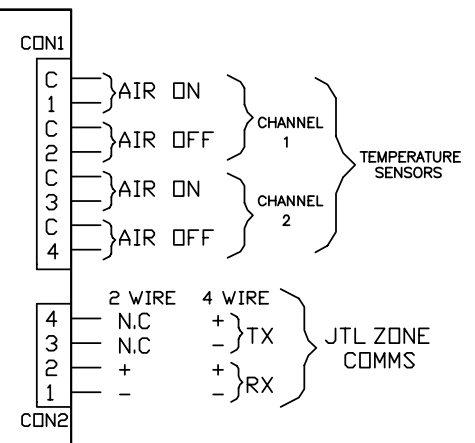
POWER CONNECTIONS



DC120 CABINET MONITOR



SIGNAL CONNECTIONS



INPUTS*	SIGNAL	
1	DEFROST INITIATION	CHANNEL 1
2	DEFROST INITIATION	CHANNEL 2
3	NOT USED	
4	NOT USED	
5	PLANT ALARM	CHANNEL 1
6	PLANT ALARM	CHANNEL 2
7	NOT USED	
8	NOT USED	

ELECTRICAL SAFETY

THIS UNIT IS SUITABLE FOR SINGLE PHASE 230V OPERATION ONLY.
ON NO ACCOUNT SHOULD 3 PHASE (415V) CONNECTIONS BE MADE TO IT
i.e. THE INPUTS MUST BE ON THE SAME PHASE AS THE SUPPLY.

NOTE

* DEFROST AND PLANT INPUTS MAY BE SELECTED FOR EITHER LINE VOLTAGE PRESENT OR ABSENT INDICATING.

IF INPUTS ARE USED A NEUTRAL MUST BE CONNECTED TO CON5 - COM.

CE CONFORMANCE

This product conforms with EU standards when installed in accordance with the JTL installation requirements.

THIS IS AN UNCONTROLLED COPY - UNLESS STAMPED WITH CONTROLLED COPY STAMP

JTL SYSTEMS LTD 41 KINGFISHER COURT, HAMBRIDGE RD, NEWBURY, BERKSHIRE. RG14 5SJ TEL: 01635 263646 FAX: 01635 263647			
ISSUE	DESCRIPTION	APP'D	DATE
2	ADDED ELECTRICAL SAFETY NOTE	MJK	7/96
1	ORIGINAL ISSUE	MJK	2/96
TITLE: DUAL DISPLAY CABINET MONITOR			
TYPE: DC120			
PROJ.	DRG No	SHT OF	ISS
	01669	1 1	2