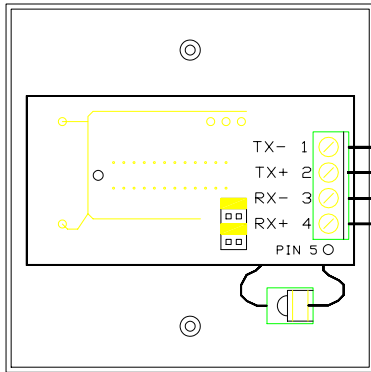
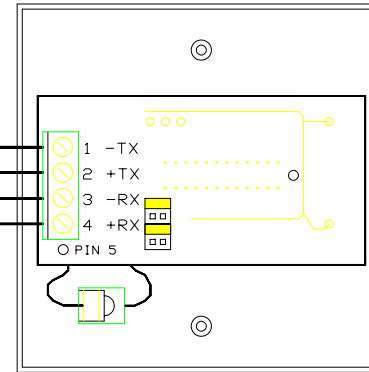


INSTORE COMPUTER  
LINE DRIVER



CONNECTS VIA MODEM CABLE  
(CAB 7 OR CAB12) TO  
SERIAL PORT OF INSTORE COMPUTER

NETWORK CONTROLLER  
LINE DRIVER



CONNECT TO NC100 CONNH USING CAB18  
CONNECTS TO NC200/400 CN7 USING CAB36

CABLE: 2 PAIR OVERALL SCREEN  
EQUIVALENT TO BELDEN 9829  
STC STOCK No: 091211D (100m REEL)

NOTES:

INSTORE COMPUTER CABLE:  
2 PAIR OVERALL SCREEN  
EQUIVALENT TO BELDEN 9829  
STC STOCK No: 091211D (100m REEL)

SHOP FLOOR COMMS CABLE:  
2 CORE (RD/BL) 7/0.2 UNSCREENED  
SECURITY CABLE.  
STC STOCK No: 030704E (100m REEL)



JTL SYSTEMS LTD.  
41 KINGFISHER COURT, HAMBRIDGE RD,  
NEWBURY, BERKSHIRE, RG14 5SJ  
TEL: 01635-47585 FAX: 01635-31888

ISS	DESCRIPTION	APP' D	DATE
1	ORIGINAL ISSUE	MJK	9/96

TITLE:  
LINE DRIVER CONNECTIONS

PROJ.	DRG No:	SHT	OF	ISS
--	01851	1	1	1

THIS IS AN UNCONTROLLED COPY - UNLESS STAMPED WITH CONTROLLED COPY STAMP