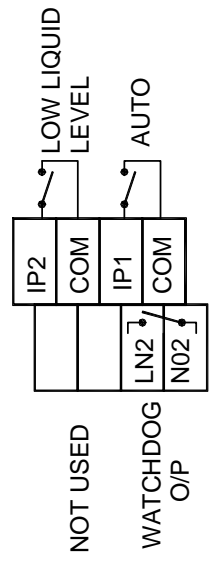
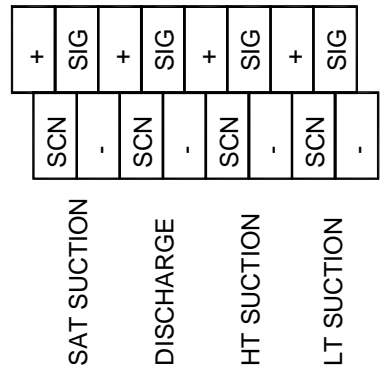


EMC INTEGRITY
DO NOT DRILL HOLES IN THE BOX.
TERMINATE ALL CABLES OUTSIDE BOX.

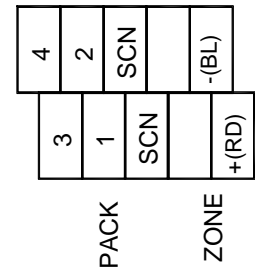
OUTPUTS &
INPUTS



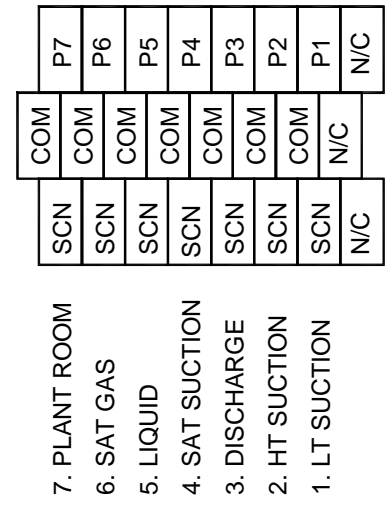
PRESSURE TRANS



COMMS



TEMP SENSORS



CONNECTIONS FOR USE WITH CPLT, EPLT & EPLA



THIS IS AN UNCONTROLLED COPY - UNLESS STAMPED WITH CONTROLLED COPY STAMP