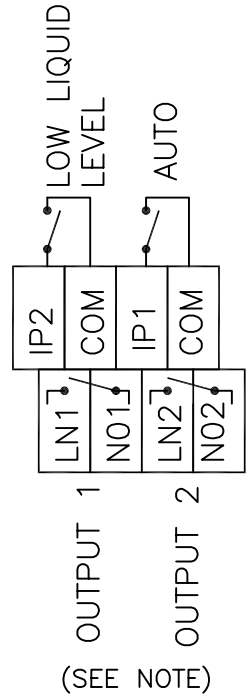
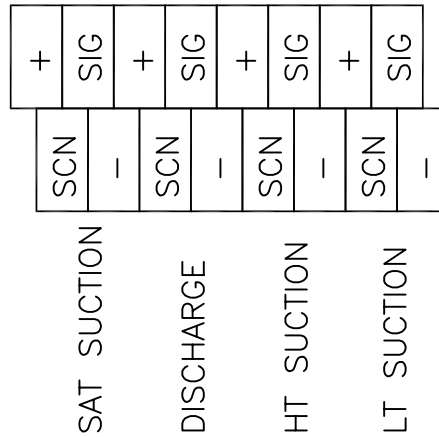


EMC INTEGRITY
DO NOT DRILL HOLES IN THE BOX.
TERMINATE ALL CABLES OUTSIDE BOX.

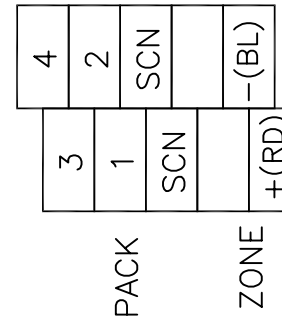
OUTPUTS &
INPUTS



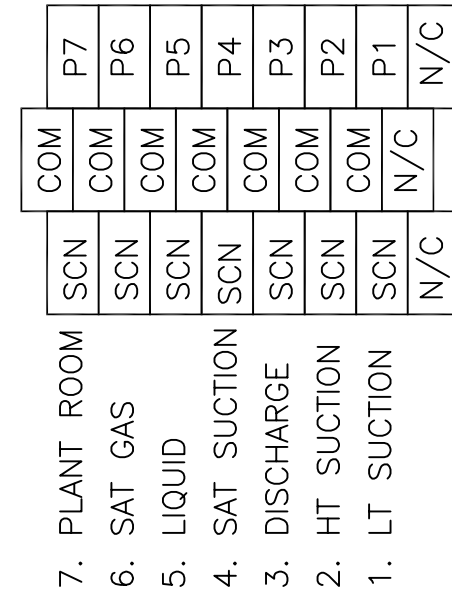
PRESSURE TRANS



COMMS



TEMP SENSORS



CONNECTIONS FOR USE WITH CP5H & EP6U

REFER TO DRG: 02527
NOTE: OUTPUT 1 & 2 FUNCTIONS ARE PROGRAMMABLE
USING ITEM 169 ON THE MAINTENANCE UNIT

