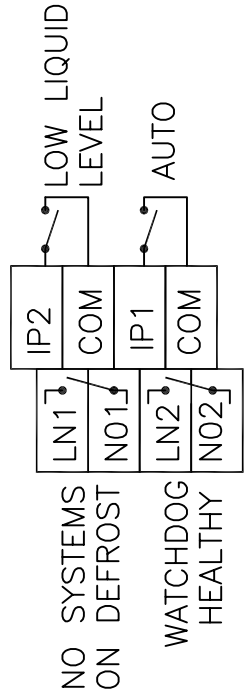
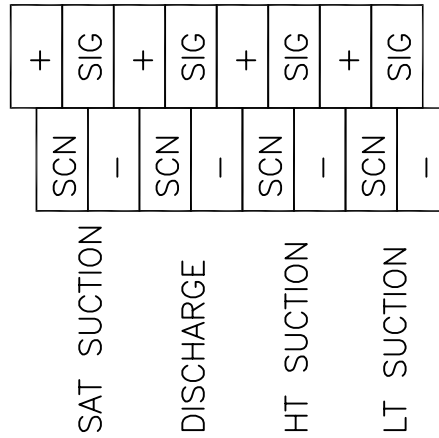


EMC INTEGRITY
DO NOT DRILL HOLES IN THE BOX.
TERMINATE ALL CABLES OUTSIDE BOX.

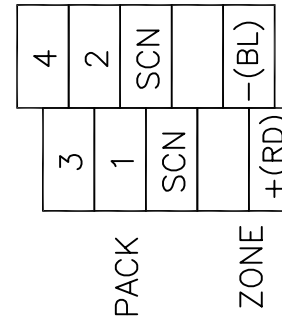
OUTPUTS &
INPUTS



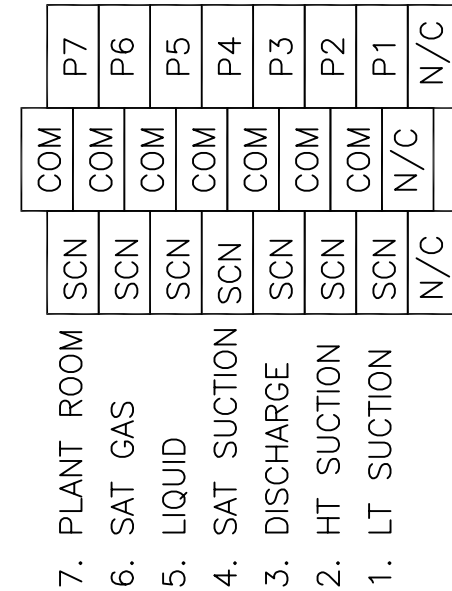
PRESSURE TRANS



COMMS



TEMP SENSORS



CONNECTIONS FOR USE WITH CP4L

