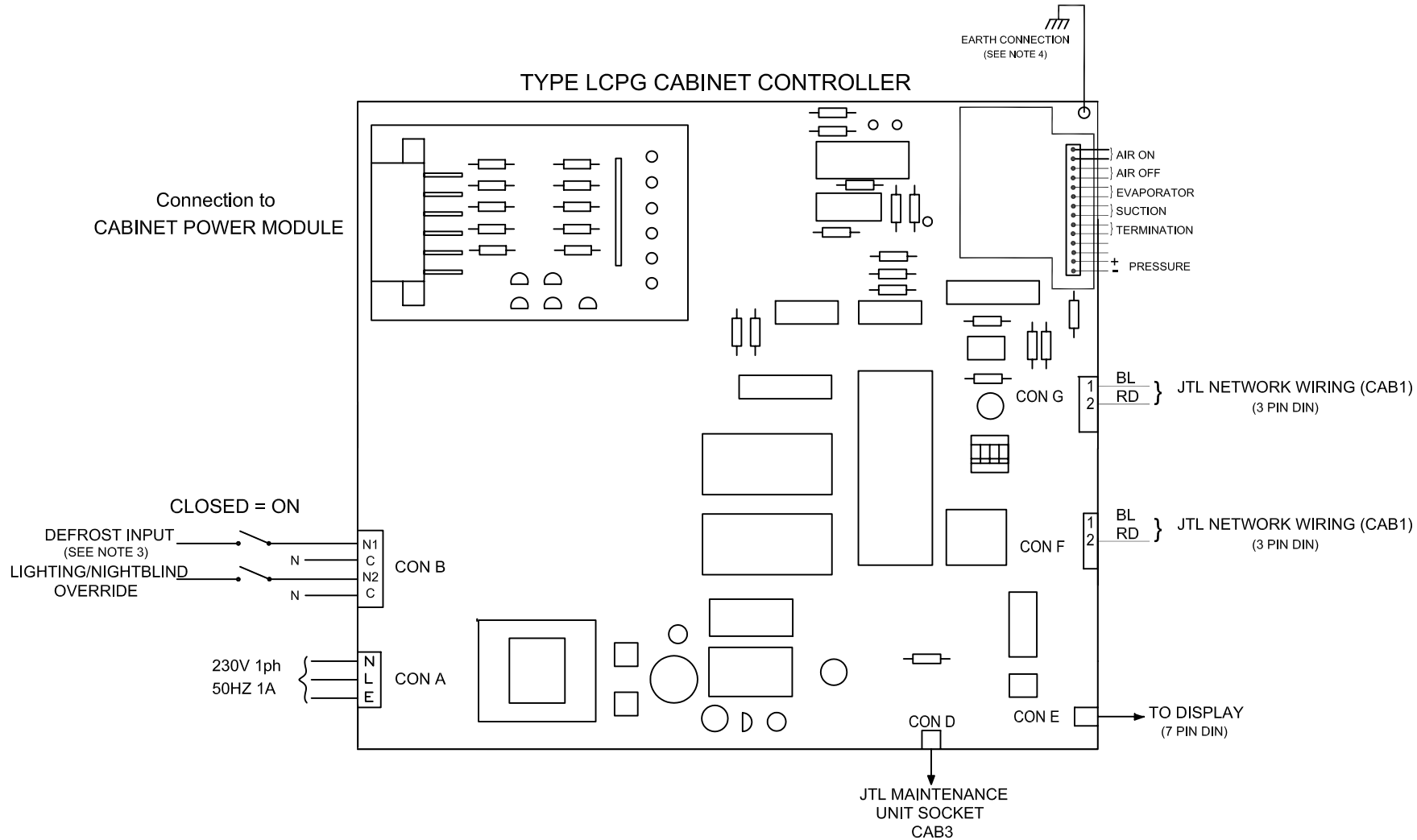


TYPE LCPG CABINET CONTROLLER

Connection to
CABINET POWER MODULE



NOTES:

1. THE LCPG CONTROLLER MUST BE EARTHED TO THE CHASSIS VIA THE CONTROLLER FIXING HOLE AS SHOWN.
2. TO MEET EMC REQUIREMENTS THE CONTROLLER MUST BE INSTALLED ACCORDING TO THE INSTALLATION REQUIREMENTS SHEET FOR THIS PRODUCT.
3. INPUTS REQUIRE 'C' CONNECTED TO NEUTRAL AND THE INPUT TO 230Vac WHEN SIGNAL IS PRESENT.
4. PLANT INPUTS TO CON B MUST BE ON THE SAME PHASE AS THE SUPPLY ON CON A.
THIS UNIT IS NOT RATED FOR 415V

THIS IS AN UNCONTROLLED COPY - UNLESS STAMPED WITH CONTROLLED COPY STAMP

		JTL SYSTEMS LTD	
		41 KINGFISHER COURT, HAMBRIDGE RD, NEWBURY BERKSHIRE: RG14 5SJ TEL: 01635 263646 FAX: 01635 263647	
ISS	DESCRIPTION	APP'D	DATE
3	SWAPPED INPUTS	MJK	3/01
2	CON B CONNECTIONS CORRECTED	MJK	6/00
1	ORIGINAL ISSUE	MJK	5/99
TITLE: CABINET CONTROLLER WIRING			
TYPE: LCPG			
PROJ.	DRG No:	SHT OF	ISS.
LC	02442	1 1	3