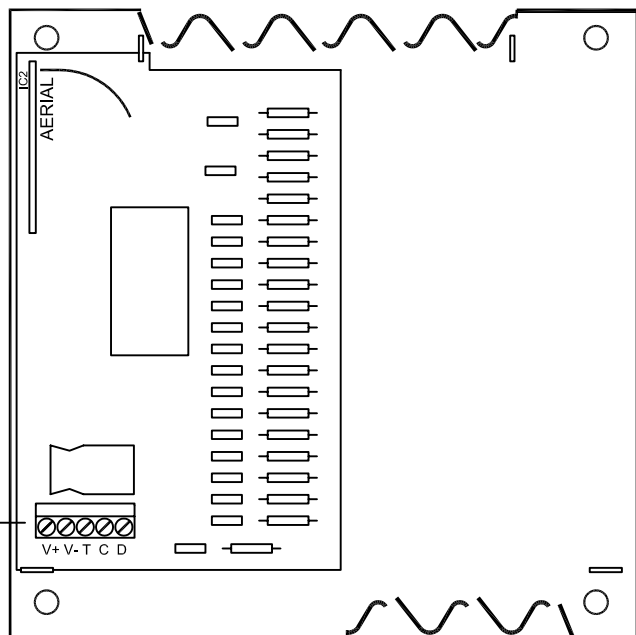
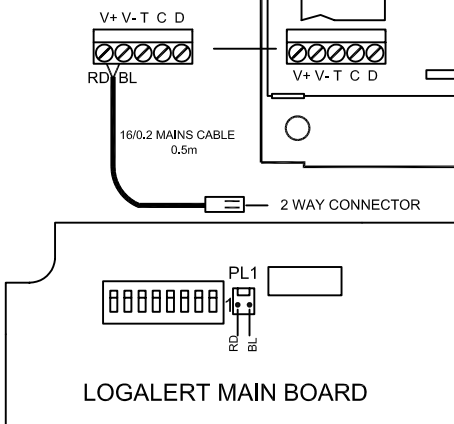


SENSOR RADIO LINK

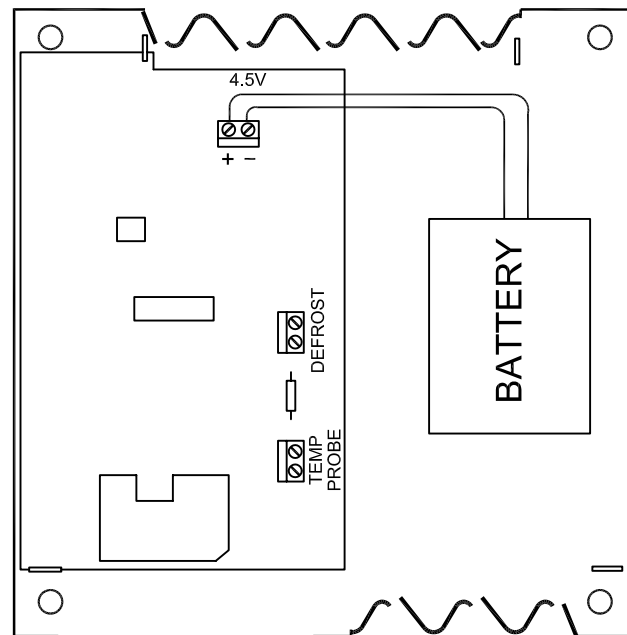
RECEIVER



RX WIRING DETAILS



TRANSMITTER



NOTE

OPTIONS - IN ADDITION TO THE ABOVE.
 A RECEIVER WITH A POWER SUPPLY (02235)
 AND/OR
 A TRANSMITTER WITH MAINS POWER (02234) ARE/IS AVAILABLE



JTL SYSTEMS LTD
 41 KINGFISHER COURT, HAMBRIDGE RD,
 NEWBURY, BERKSHIRE: RG14 5SJ
 TEL: 01635 263646 FAX: 01635 263647