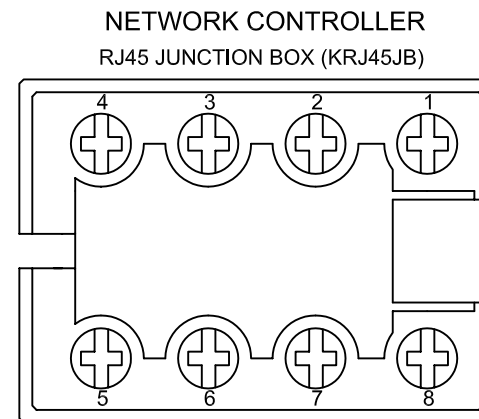
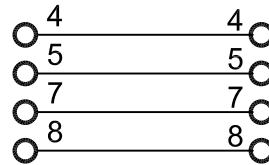
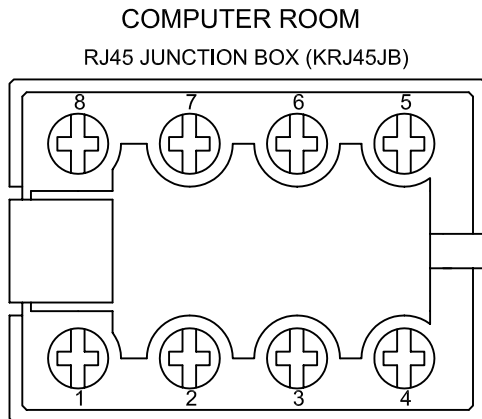
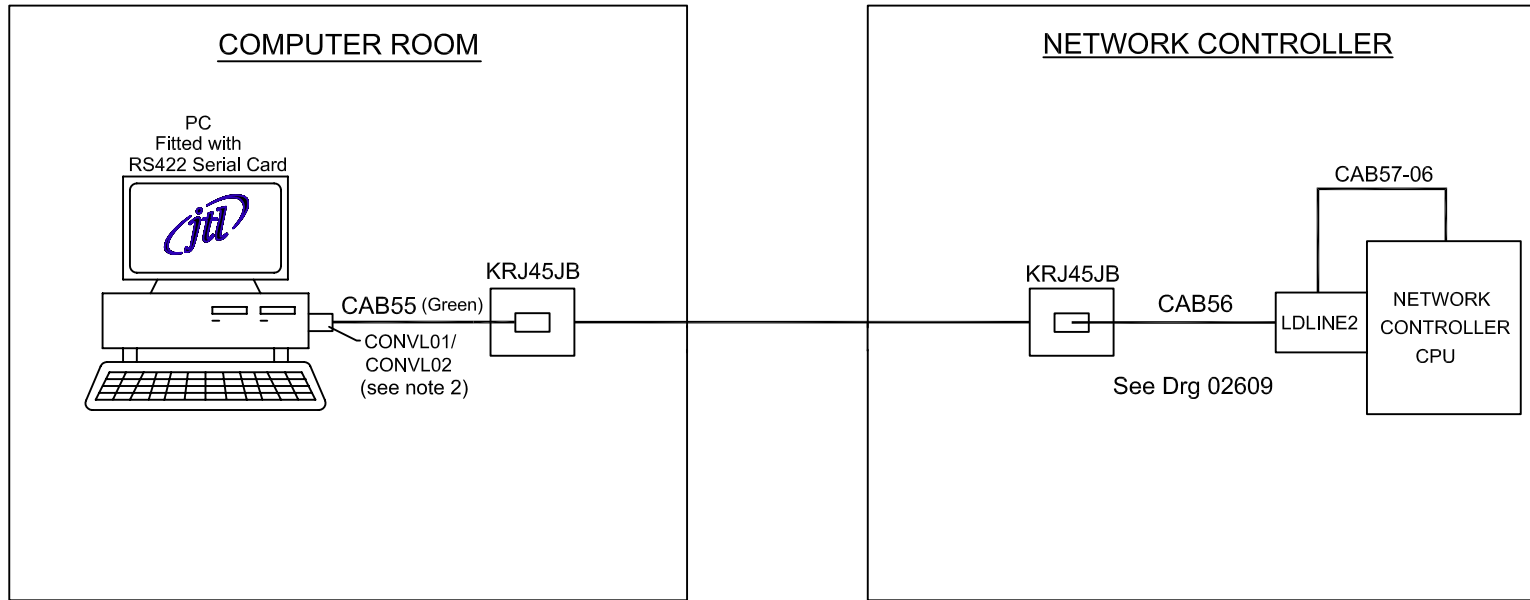


SITE PC TO NETWORK CONTROLLER CONNECTION DIAGRAM USING RS422 PCI CARD



NOTES:

1. Connections where LDWALL/LDLINE are both being replaced using existing 4 core cable (NOT CAT5 LINK)
2. Use CONVL01 were "B & B Electronics" RS422 Card fitted and CONVL02 where "BRAINBOXES" RS422 Card fitted.
3. Where Brainboxes card fitted, neither of the two jumpers (on the card) should be fitted.



JTL SYSTEMS LTD
41 KINGFISHER COURT, HAMBRIDGE RD,
NEWBURY BERKSHIRE: RG14 5SJ
TEL: 01635 263646 FAX: 01635 263647

THIS IS AN UNCONTROLLED COPY - UNLESS STAMPED WITH CONTROLLED COPY STAMP

Doc 02690 ISS 4 Feb 2003