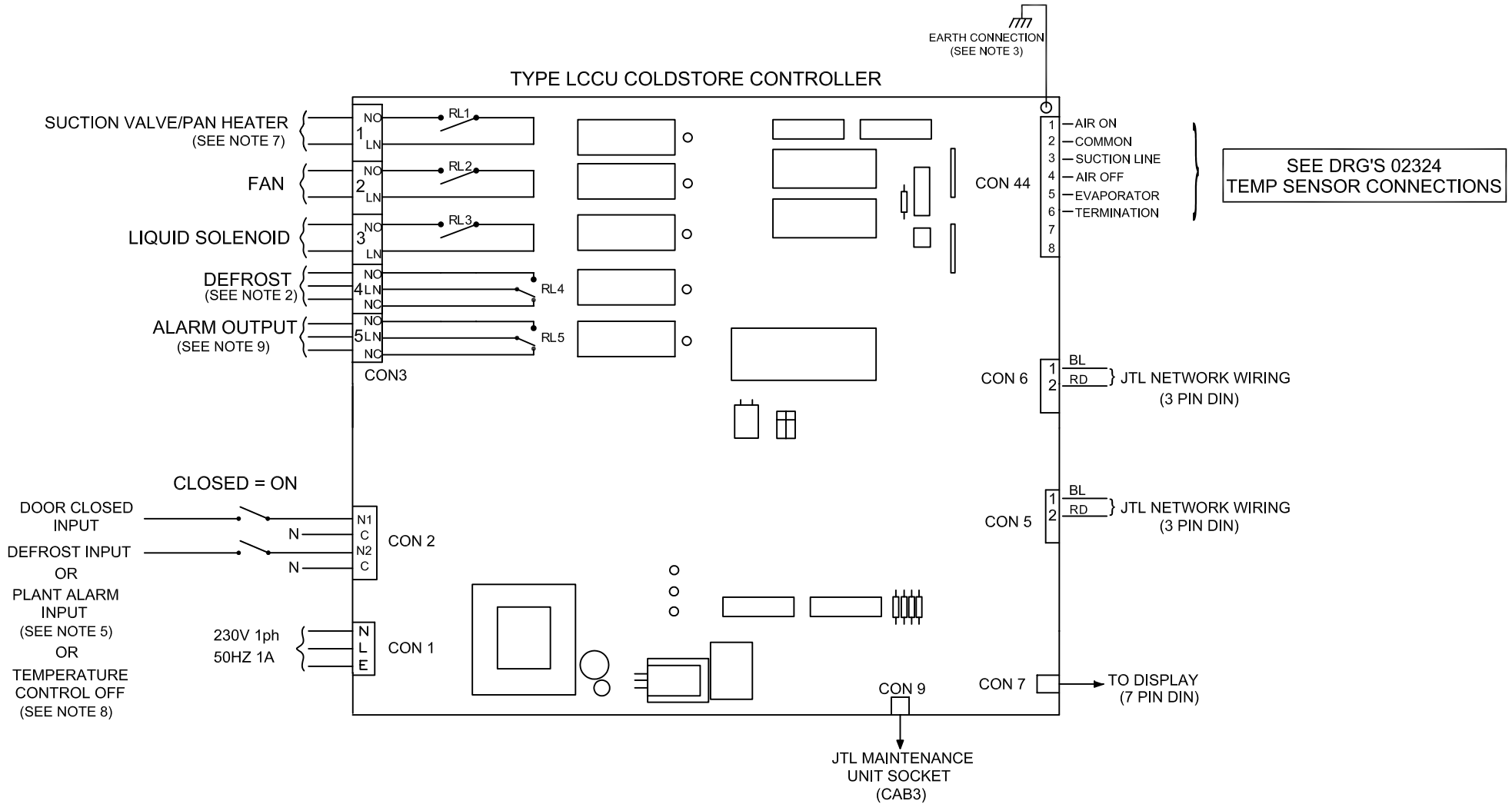


# LCCU COLDSTORE CONTROLLER WIRING


## TYPE LCCU COLDSTORE CONTROLLER



### NOTES:

1. TO ENSURE THAT INTERNALLY FITTED SUPPRESSORS WORK CORRECTLY:- ENSURE THAT LINE VOLTAGE IS CONNECTED TO TERMINALS MARKED 'LN' AND EACH LOAD IS CONNECTED TO TERMINALS MARKED 'NO' OR 'NC'.
2. THE LIQUID SOLENOID VALVE MAY BE USED AS AN ALTERNATIVE TO THE PEV OUTPUT WHEN USING A CONVENTIONAL TEV.
3. THE LCCU CONTROLLER MUST BE EARTHED TO THE CHASSIS VIA THE CONTROLLER FIXING HOLE AS SHOWN.
4. TO MEET EMC REQUIREMENTS THE CONTROLLER MUST BE INSTALLED ACCORDING TO THE INSTALLATION REQUIREMENTS SHEET FOR THIS PRODUCT.
5. INPUTS REQUIRE 'C' CONNECTED TO NEUTRAL AND THE INPUT TO 230Vac WHEN SIGNAL IS PRESENT.
6. PLANT INPUTS TO CON 2 MUST BE ON THE SAME PHASE AS THE SUPPLY ON CON 1.  
**THIS UNIT IS NOT RATED FOR 415V**
7. OUTPUT IS SELECTABLE FOR PAN HEATER OR SUCTION VALVE CONTROL. (SEE CONTROLLER SET UP DATA)
8. WITH ITEM 138 SET TO ON A CLOSED INPUT ON INPUT 2 WILL SHUTDOWN COLDROOM.
9. ALARM OUTPUT FROM V0.00.6

THIS IS AN UNCONTROLLED COPY - UNLESS STAMPED WITH CONTROLLED COPY STAMP

 <b>JTL SYSTEMS LTD</b> 41 KINGFISHER COURT, HAMBRIDGE RD, NEWBURY BERKSHIRE: RG14 5SJ TEL: 01635 263646 FAX: 01635 263647		ISS	DESCRIPTION	APP'D	DATE
		2	ADDED ALARM OUTPUT & NOTE 9	MJK	10/11
1	ORIGINAL ISSUE	MJK	04/02		
TITLE: <b>COLDSTORE CONTROLLER WIRING</b>					
TYPE: LCCU					
PROJ.	DRG No:	SHT	OF	ISS.	
LC	02761	1	1	2	