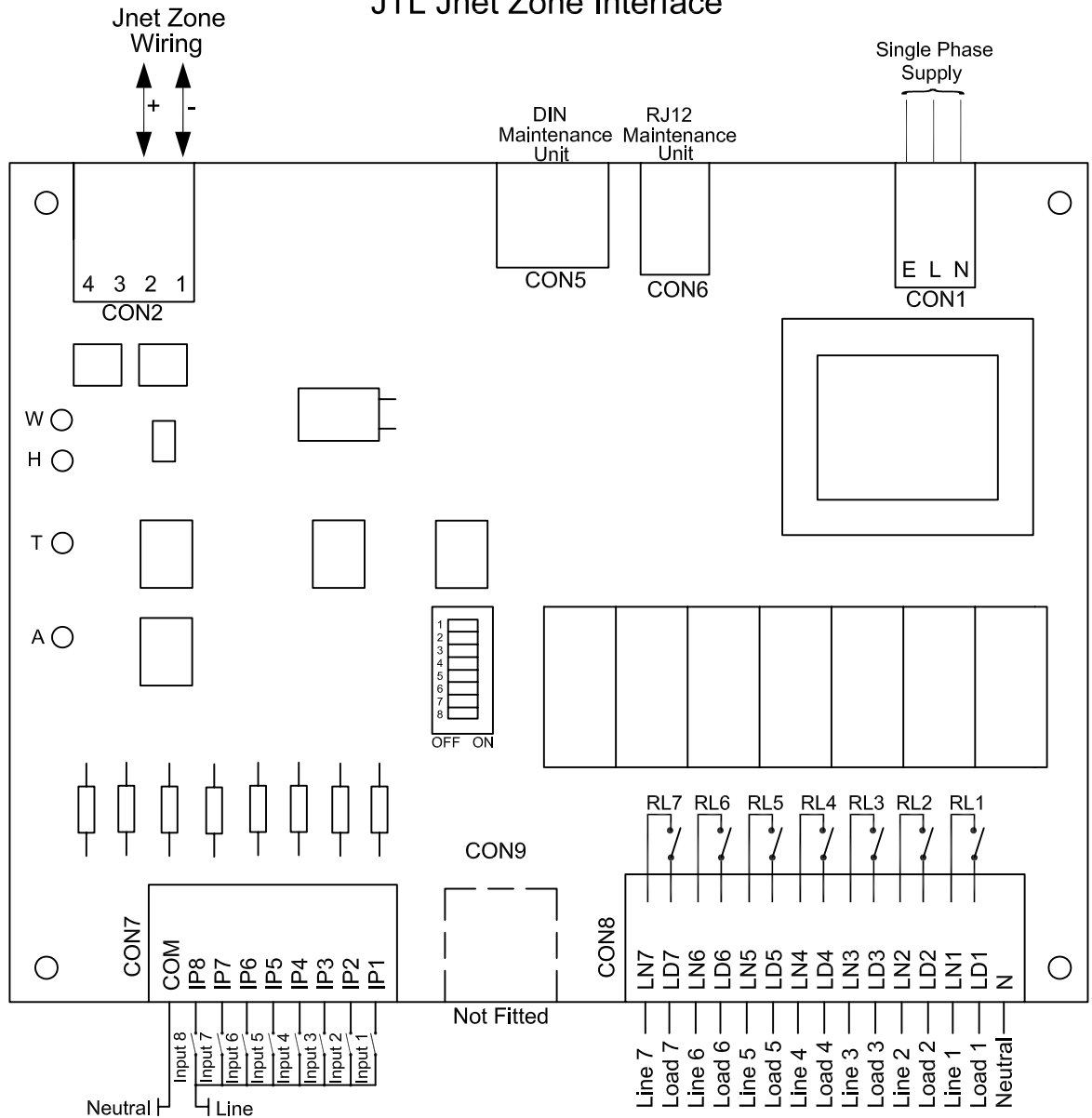


IF21 JTL Jnet Zone Interface

Description:

JTL Jnet Zone Interface comprising 8 opto-isolated mains digital inputs and 7 suppressed non-changeover relay outputs. A JTL Maintenance Unit is used to configure this product.



NOTES:

1. Input states as follows:
Closed contact = Input present
Open contact = Input not present
2. CON7 must have neutral connected to it on terminal marked 'com'.
3. To ensure that internally fitted suppressors work correctly, connect line voltages to terminals prefixed LN and the corresponding loads to terminals prefixed LD. Ensure neutral is connected to terminal marked N.
4. Switch positions DIP switch SW1 controls the output relays if pack serial data bus communications fail. Switch closed (ON) = corresponding output relay energised.
5. Interface must be configured according to function using JTL Maintenance Unit.

JTL SYSTEMS LTD		41 KINGFISHER COURT, HAMBRIDGE RD, NEWBURY, BERKSHIRE: RG14 5SJ TEL: 01635 263646 FAX: 01635 263647	
ISSUE	DESCRIPTION	APP'D	DATE
1	ORIGINAL ISSUE	MJK	02/03
TITLE:			
IF21			
Jnet ZONE INTERFACE CONNECTIONS			
PROJ.	DRG No:	SHT	OF
	02937	1	1
		ISS.	1

THIS IS AN UNCONTROLLED COPY - UNLESS STAMPED WITH CONTROLLED COPY STAMP