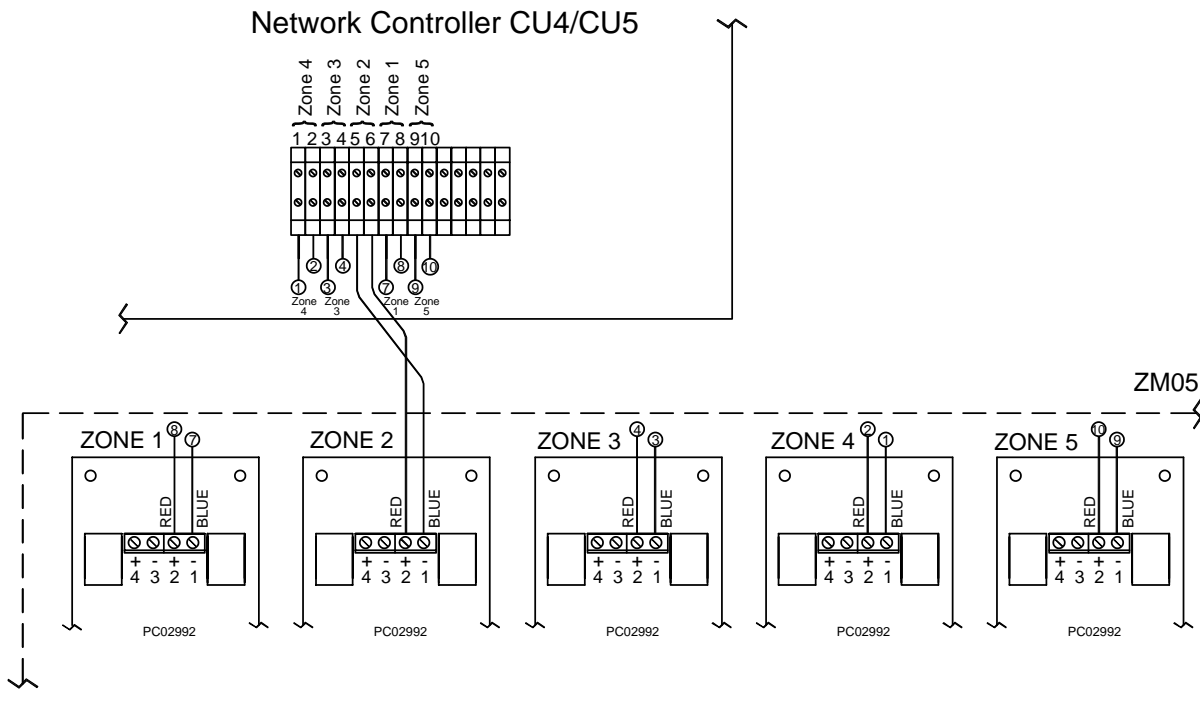
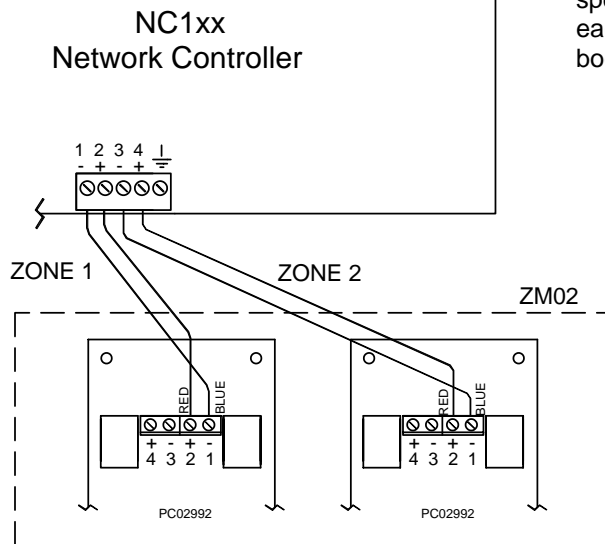


Connection of Network Controller to Zone Marshalling Junction Box



NOTES:
Cable must be according to JTL specification and terminated at each end with the correct size boot lace ferrule.



| ISSUE | DESCRIPTION | APP'D | DATE |
|-------|----------------|-------|-------|
| 1 | ORIGINAL ISSUE | MJK | 10/04 |



JTL SYSTEMS LTD.
41 KINGFISHER COURT, HAMBRIDGE RD,
NEWBURY, BERKSHIRE. RG14 5SJ
TEL: 01635-263646 FAX: 01635 263647

TITLE:
CONNECTION OF NETWORK CONTROLLER
TO ZONE MARSHALLING JUNCTION BOX

| | | | | |
|-------|---------|-----|----|------|
| PROJ: | DRG No: | SHT | OF | ISS. |
| | 03121 | 1 | 1 | 1 |