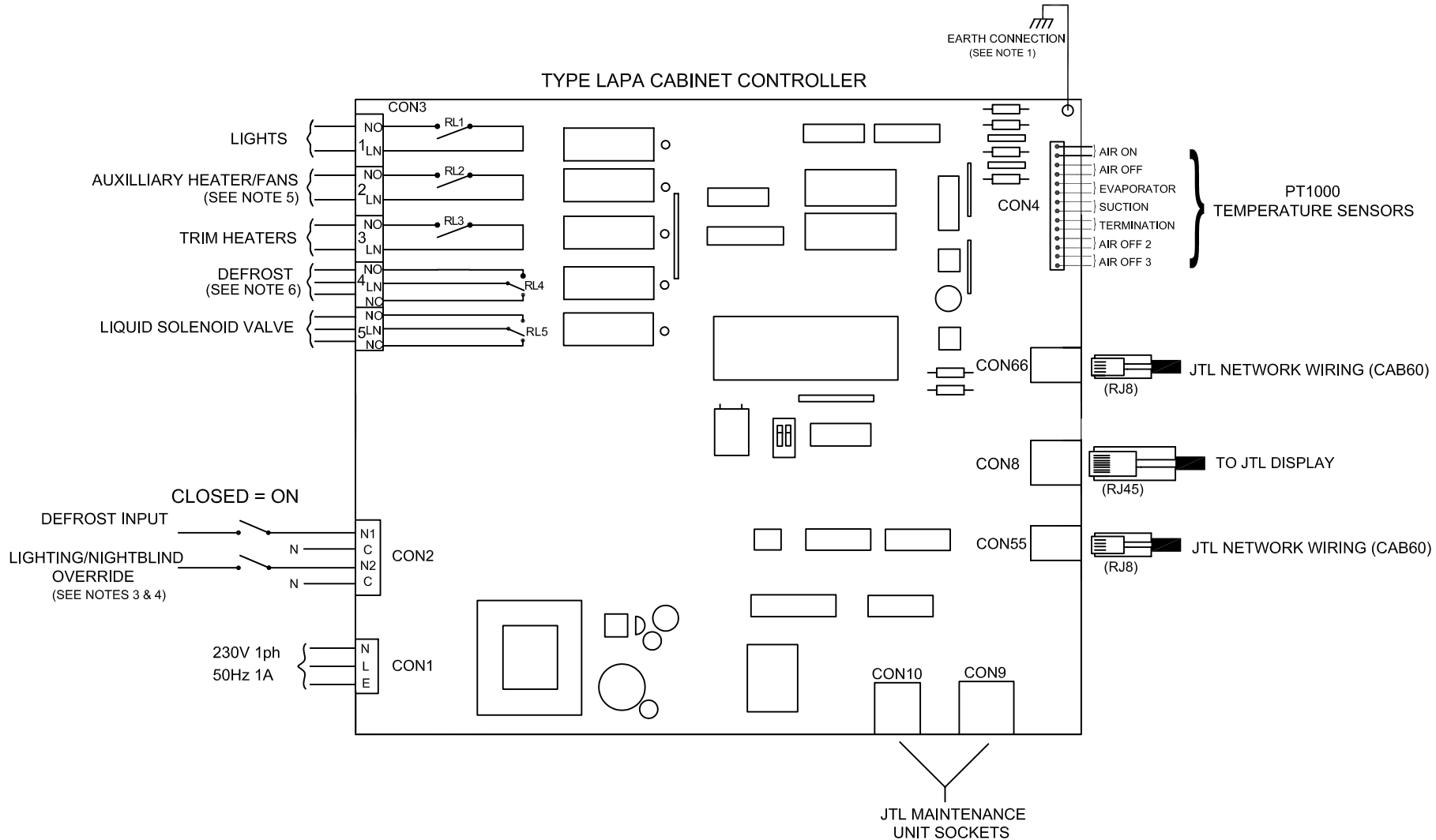


### TYPE LAPA CABINET CONTROLLER



#### NOTES:

1. THE LAPA CONTROLLER MUST BE EARTHED TO THE CHASSIS VIA THE CONTROLLER FIXING HOLE AS SHOWN.
2. TO MEET EMC REQUIREMENTS THE CONTROLLER MUST BE INSTALLED ACCORDING TO THE INSTALLATION REQUIREMENTS SHEET FOR THIS PRODUCT.
3. INPUTS REQUIRE 'C' CONNECTED TO NEUTRAL AND THE INPUT TO 230Vac WHEN SIGNAL IS PRESENT.
4. PLANT INPUTS TO CON2 MUST BE ON THE SAME PHASE AS THE SUPPLY ON CON1.  
**THIS UNIT IS NOT RATED FOR 415V**
5. FANS/HEATER OUTPUT SELECTABLE USING MAINTENANCE UNIT.
6. THE DEFROST OUTPUT HAS CHANGEOVER CONTACTS. SELECT THE APPROPRIATE OUTPUT FOR THE APPLICATION.

THIS IS AN UNCONTROLLED COPY - UNLESS STAMPED WITH CONTROLLED COPY STAMP

		JTL SYSTEMS LTD	
		41 KINGFISHER COURT, HAMBRIDGE RD, NEWBURY BERKSHIRE: RG14 5SJ TEL: 01635 263646 FAX: 01635 263647	
ISS	DESCRIPTION	APP'D	DATE
2	AMENDED	MJK	01/08
1	ORIGINAL ISSUE	MJK	09/05
TITLE: CABINET CONTROLLER (PT1000 SENSORS) CONNECTIONS			
TYPE: LAPA			
PROJ.	DRG No:	SHT	OF
LA	03219	1	1
			ISS.
			2