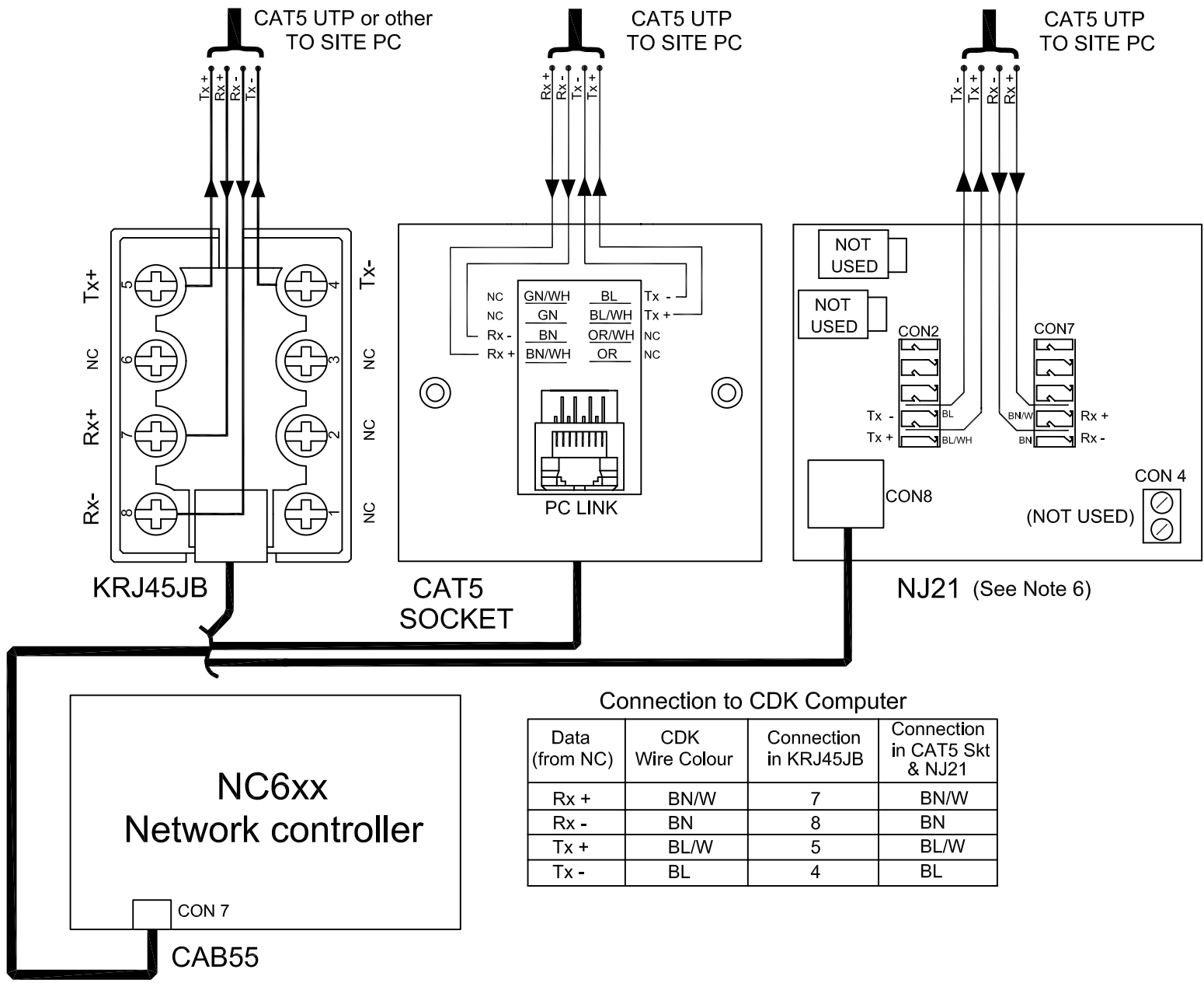


NC6xx Connection to site PC via RS422 (see notes)



- NOTES:**
1. This connection is used to replace in line 'line driver' modules to JTL & other PCs.
 2. Where CAT5 connections already exist terminated in a RJ45 socket the line driver & cable are simply replaced by CAB55.
 3. For CAT5 connection to CDK computer, see table.
 4. + & - indication refers to JTL conventions Other devices can vary see drg 02611
 5. Tx must be connected to Rx and vice-versa on third party equipment. Arrows on diagram show data direction to and from NC.
 6. Must be NJ21 not NJ22

JTL SYSTEMS LTD
 41 KINGFISHER COURT, HAMBRIDGE RD,
 NEWBURY, BERKSHIRE: RG14 5SJ
 TEL: 01635 263646 FAX: 01635 263647

ISSUE	DESCRIPTION	APP'D	DATE
6	ADDED NOTE 6	MJK	11/16
5	REDRAWN TO INCLUDE NJ21 OPTION	MJK	07/15
4	ADDED NOTE 4	MJK	07/10

TITLE:
NC6xx connection to Site PC via RS422

PROJ.	DRG No: 03243	SHT 1	OF 1	ISS. 6
-------	--	--	---	---