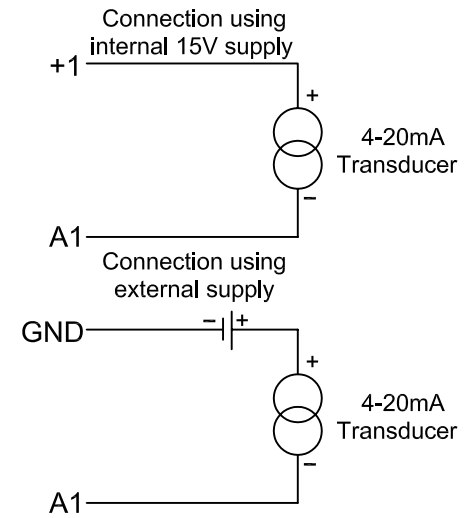
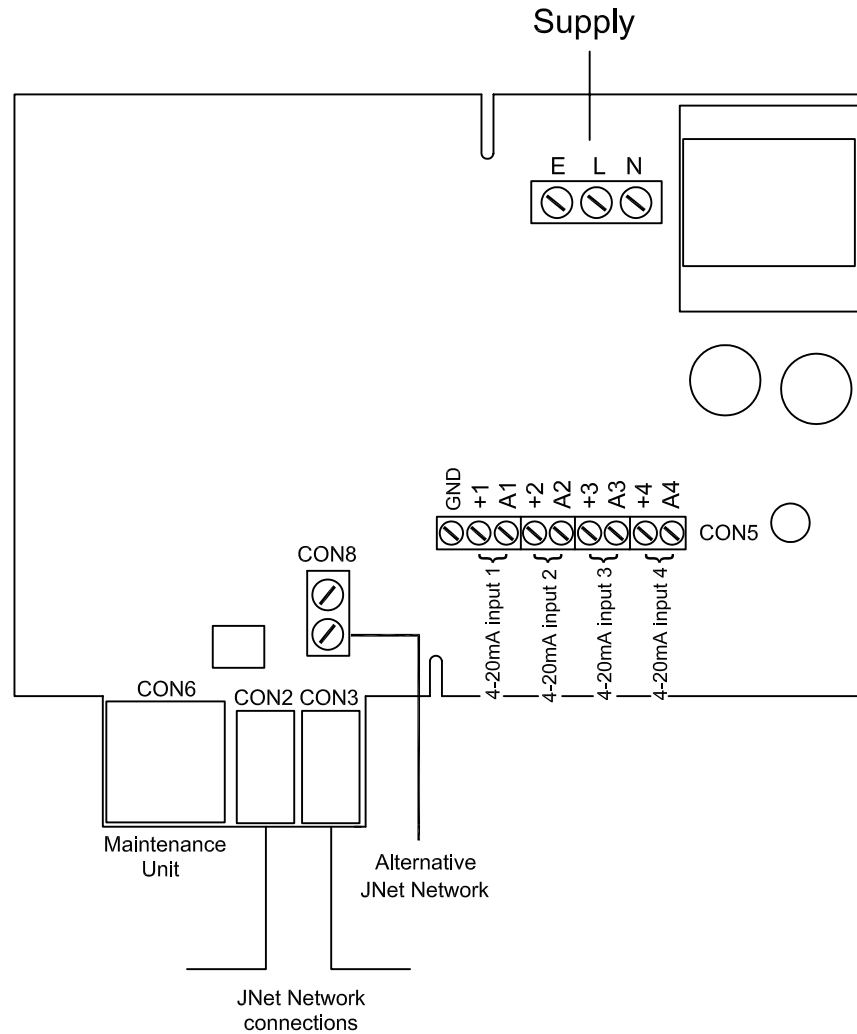



AI221 Connection Diagram



THIS IS AN UNCONTROLLED COPY - UNLESS STAMPED WITH CONTROLLED COPY STAMP

		JTL SYSTEMS LTD 41 KINGFISHER COURT, HAMBRIDGE RD, NEWBURY, BERKSHIRE: RG14 5SJ TEL: 01635 263646 FAX: 01635 263647		
		ISSUE	DESCRIPTION	APP'D
3	REMOVED COMPONENTS FOR UPDATED PCB	MJK	04/14	
2	PRODUCT IDENTIFICATION CHANGED TO AI221	MJK	03/12	
1	ORIGINAL ISSUE	MJK	10/07	
TITLE:				
<h2>AI221 Connection Diagram</h2>				
PROJ.	DRG No:	SHT	OF	ISS.
	03388	1	1	3