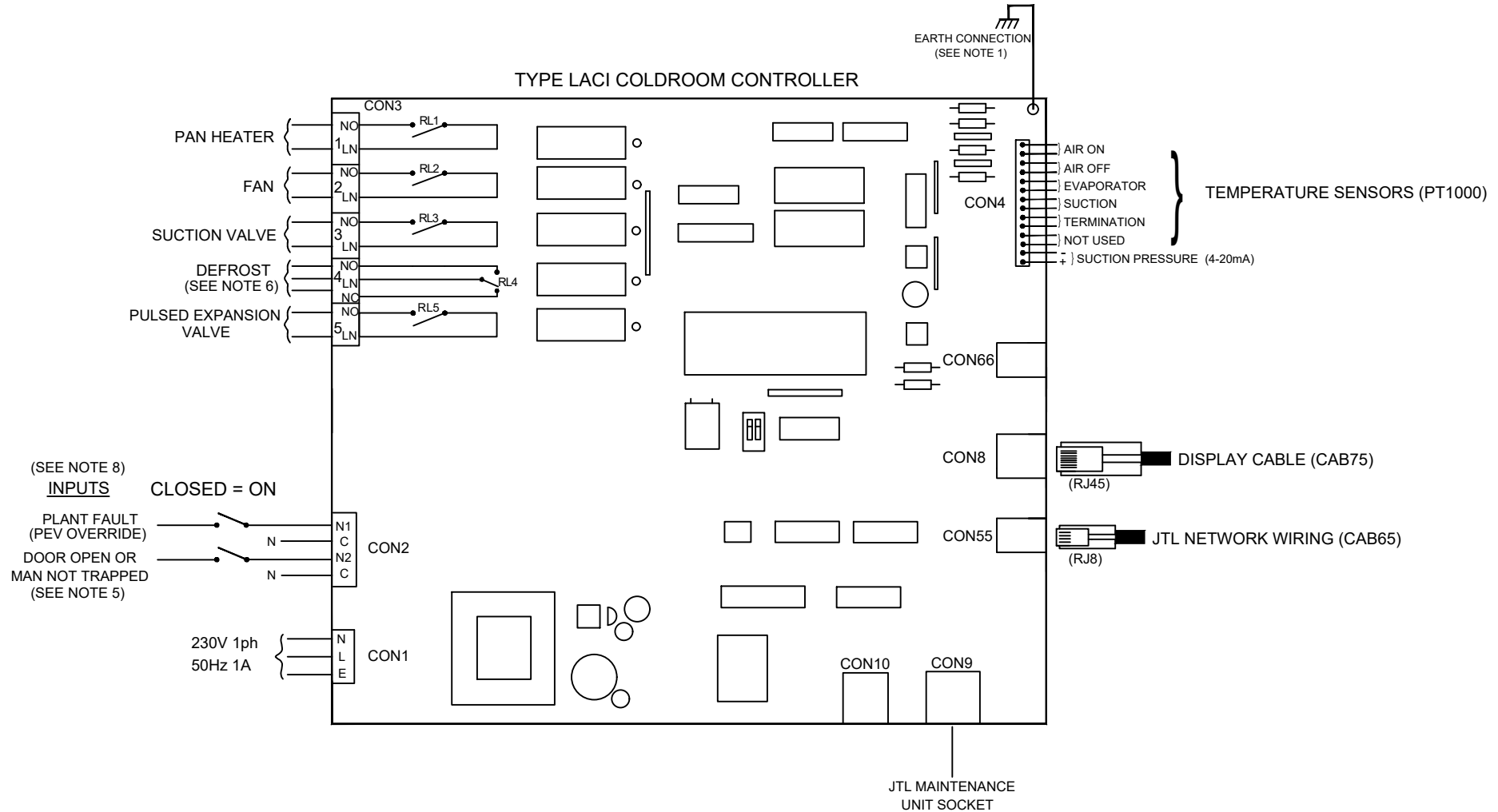


# LACI COLDROOM CONTROLLER CONNECTIONS




## NOTES:

1. THE LACI CONTROLLER MUST BE EARTHED TO THE CHASSIS VIA THE CONTROLLER FIXING HOLE AS SHOWN.
2. TO MEET EMC REQUIREMENTS THE CONTROLLER MUST BE INSTALLED ACCORDING TO THE INSTALLATION REQUIREMENTS SHEET FOR THIS PRODUCT.
3. INPUTS REQUIRE 'C' CONNECTED TO NEUTRAL AND THE INPUT TO 230Vac WHEN SIGNAL IS PRESENT.
4. PLANT INPUTS TO CON2 MUST BE ON THE SAME PHASE AS THE SUPPLY ON CON1.

5. DOOR FUNCTIONS NOT AVAILABLE ON FIRMWARE VERSIONS 9 & 10.
6. THE DEFROST OUTPUT HAS CHANGEOVER CONTACTS. SELECT THE APPROPRIATE OUTPUT FOR THE APPLICATION.
7. TO ENSURE THAT INTERNALLY FITTED SUPPRESSORS WORK CORRECTLY:- ENSURE THAT THE LINE VOLTAGE IS CONNECTED TO TERMINALS 'LN' AND EACH LOAD IS CONNECTED TO TERMINALS MARKED 'NO' OR 'NC.'
8. FOR FIRMWARE VERSIONS 0 - 8 PLANT FAULT IS ON INPUT 2 & DOOR OPEN IS ON INPUT 1.

**THIS UNIT IS NOT RATED FOR 415V**

**THIS IS AN UNCONTROLLED COPY - UNLESS STAMPED WITH CONTROLLED COPY STAMP**

		<b>JTL SYSTEMS LTD</b> 41 KINGFISHER COURT, HAMBRIDGE RD, NEWBURY BERKSHIRE: RG14 5SJ TEL: 01635 263646 FAX: 01635 263647		
		ISS	DESCRIPTION	APP'D
3	ADDED DOOR OPEN ON CON2	MJK	10/11	
5	ADDED NOTE 8	MJK	03/18	
4	ADDED NOTE 5	MJK	02/18	
TITLE: PULSED EXPANSION VALVE COLDROOM CONTROLLER CONNECTIONS				
TYPE: LACI				
PROJ.	DRG No.	SHT	OF	ISS.
LA	03490	1	1	5