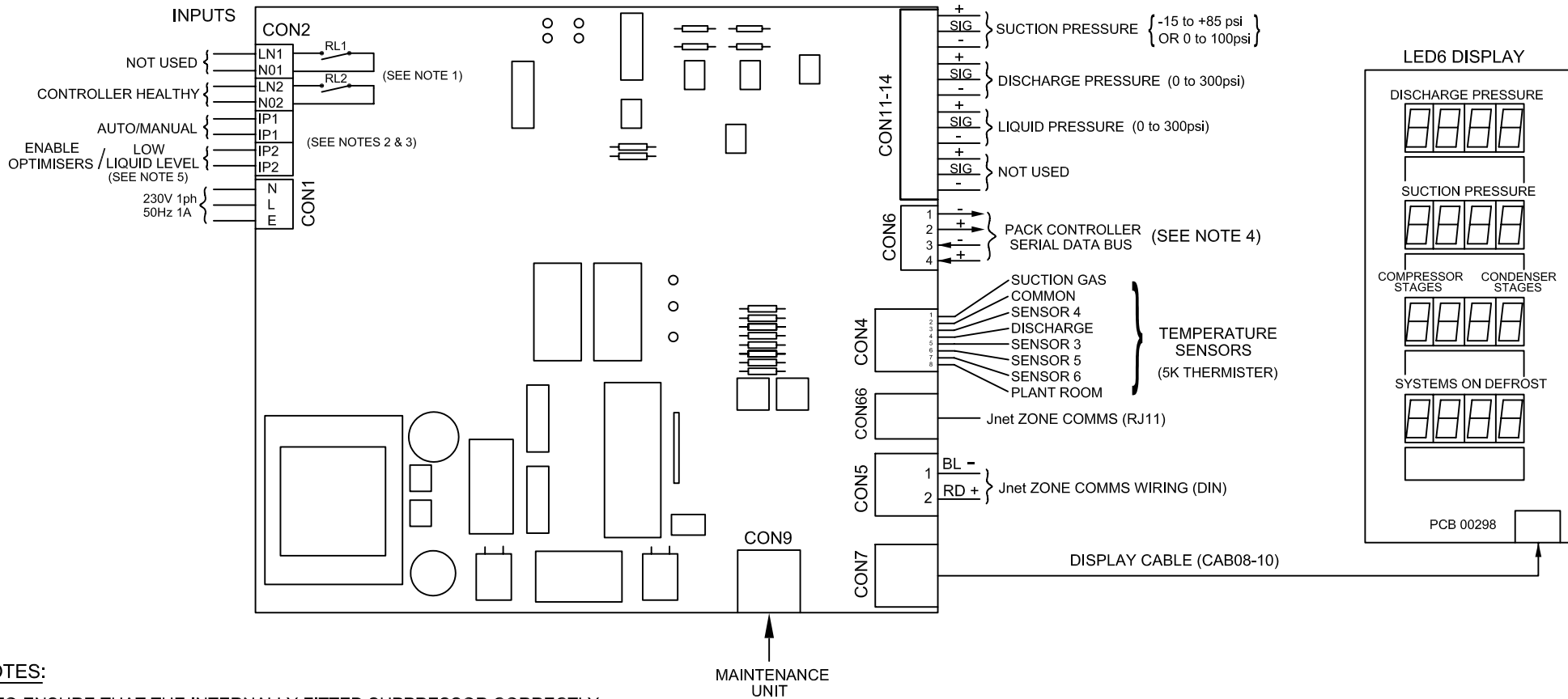


EPIC CONTROLLER



NOTES:

1. TO ENSURE THAT THE INTERNALLY FITTED SUPPRESSOR CORRECTLY:- ENSURE THAT THE LINE VOLTAGE IS CONNECTED TO TERMINALS LD1 = NO1 AND EACH LOAD IS CONNECTED TO THE CORRESPONDING TERMINAL LD2 = N02
2. INPUTS IP1 AND IP2 ARE VOLT-FREE INPUTS POWERED INTERNALLY FROM THE MAINS SUPPLY. NO EXTERNAL VOLTAGE IS TO BE APPLIED TO THEM TO AVOID EQUIPMENT DAMAGE.
3. INPUT STATES ARE AS FOLLOWS:-
 IP1 - CLOSED CONTACT = AUTO CONTROL (OPEN CONTACT = PLANT FAIL)
 IP2 - CLOSED CONTACT = LIQUID LEVEL OK.
4. FOR LEGACY SYSTEMS CONNECT A FOUR WIRE MULTICORE CABLE TO THE FOUR WIRE CONNECTOR INTERFACE PIN 1 TO PIN 1 ETC.
 FOR 2 WIRE PLANT ZONE UNITS TYPE IF3x USE CABLE CAB72 LINK TERMINALS 1 TO 3 TO RED & TERMINALS 2 & 4 TO GREEN.
5. INPUT 2, IS SELECTABLE ON ITEM 159 FUNCTION.

THIS IS AN UNCONTROLLED COPY - UNLESS STAMPED WITH CONTROLLED COPY STAMP



JTL SYSTEMS LTD
 41 KINGFISHER COURT, HAMBRIDGE RD,
 NEWBURY, BERKSHIRE: RG14 5SJ
 TEL: 01635 263646 FAX: 01635 263647

ISSUE	DESCRIPTION	APP'D	DATE
6	ADDED TRANSDUCER PRESSURES	MJK	09/16
5	ADDED SENSORS 3, 4, 5 & 6 TO CON4	MJK	07/16
4	ADDED NOTE 5	MJK	10/10

TITLE: EPIC CONTROLLER CONNECTION DIAGRAM				
PROJ.	DRG No: 03512	SHT	OF	ISS. 6