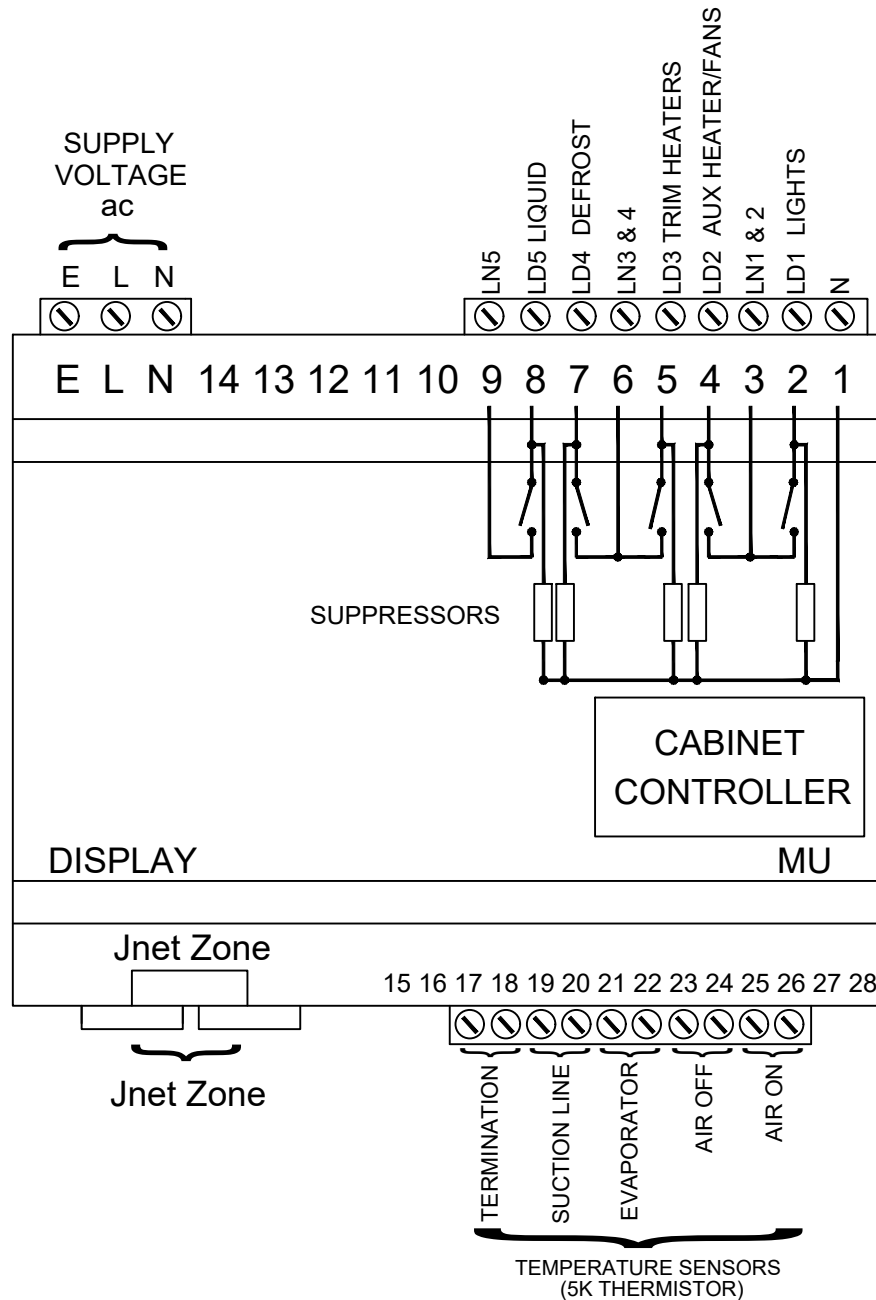


UAPN & UBPN DISPLAY CABINET CONTROLLER



NOTE

- To ensure that internally fitted suppressors work correctly, connect line voltages to terminals prefixed LN and the corresponding loads to terminals prefixed LD. Ensure neutral is connected to terminal marked N. Terminal 1 must have control supply neutral connected to it.



JTL SYSTEMS LTD
 41 KINGFISHER COURT, HAMBRIDGE RD,
 NEWBURY, BERKSHIRE: RG14 5SJ
 TEL: 01635 263646 FAX: 01635 263647

| ISSUE | DESCRIPTION | APP'D | DATE |
|-------|---------------------------|-------|-------|
| 3 | CONNECTIONS CHANGED | MJK | 10/11 |
| 2 | LD/LN CONNECTIONS CHANGED | MJK | 06/11 |
| 4 | ADDED UBPN | MJK | 09/19 |

TITLE:
UAPN & UBPN CABINET CONTROLLER

| | | | | |
|-------|-------------------------|----------|---------|-----------|
| PROJ. | DRG No: 03785 | SHT 1 | OF 1 | ISS. 4 |
|-------|-------------------------|----------|---------|-----------|