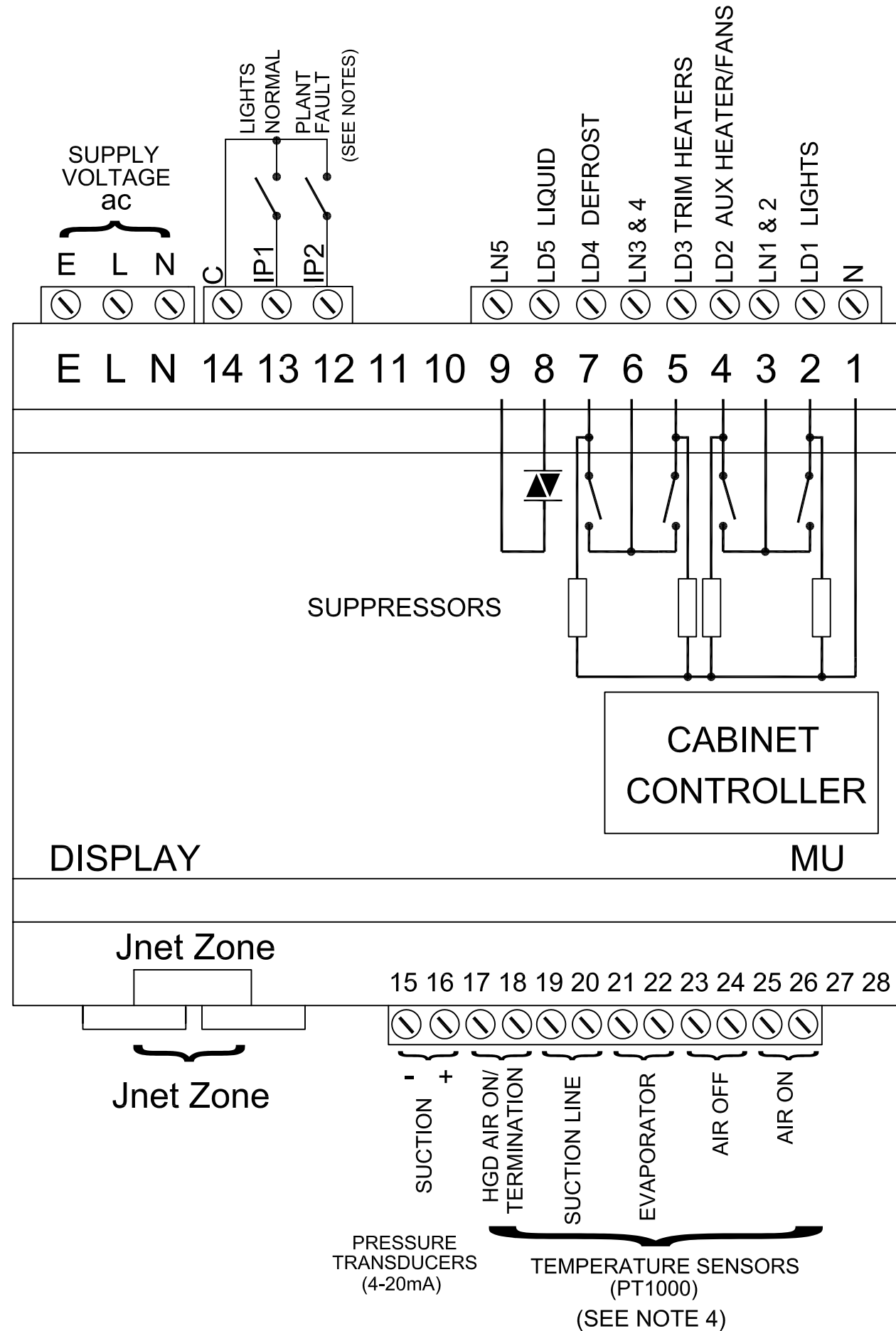


# UAPI DISPLAY CABINET CONTROLLER



## NOTES

1. To ensure that internally fitted suppressors work correctly, connect line voltages to terminals prefixed LN and the corresponding loads to terminals prefixed LD. Terminal 1 (N) must have control supply neutral connected to it.
2. Input 1.  
Lighting normal  
Closed = normal  
discontinued from version 0.00.3 firmware.
3. Input 2.  
Plant fault  
Closed = fault
4. Selection of termination sensor allowed from firmware version 0.00.4



JTL SYSTEMS LTD  
 41 KINGFISHER COURT, HAMBRIDGE RD,  
 NEWBURY, BERKSHIRE: RG14 5SJ  
 TEL: 01635 263646 FAX: 01635 263647

ISSUE	DESCRIPTION	APP'D	DATE
6	ADDED HGD AIR ON & NOTE 4	MJK	09/12
5	IP1 & 2 UPDATED. ADDED NOTES 2 & 3	MJK	08/12
4	IP1 UPDATED & ADDED IP2	MJK	08/11

TITLE:  
**UAPI DISPLAY CABINET CONTROLLER**

PROJ.	DRG No: <b>03790</b>	SHT <b>1</b>	OF <b>1</b>	ISS. <b>6</b>
-------	-------------------------	-----------------	----------------	------------------