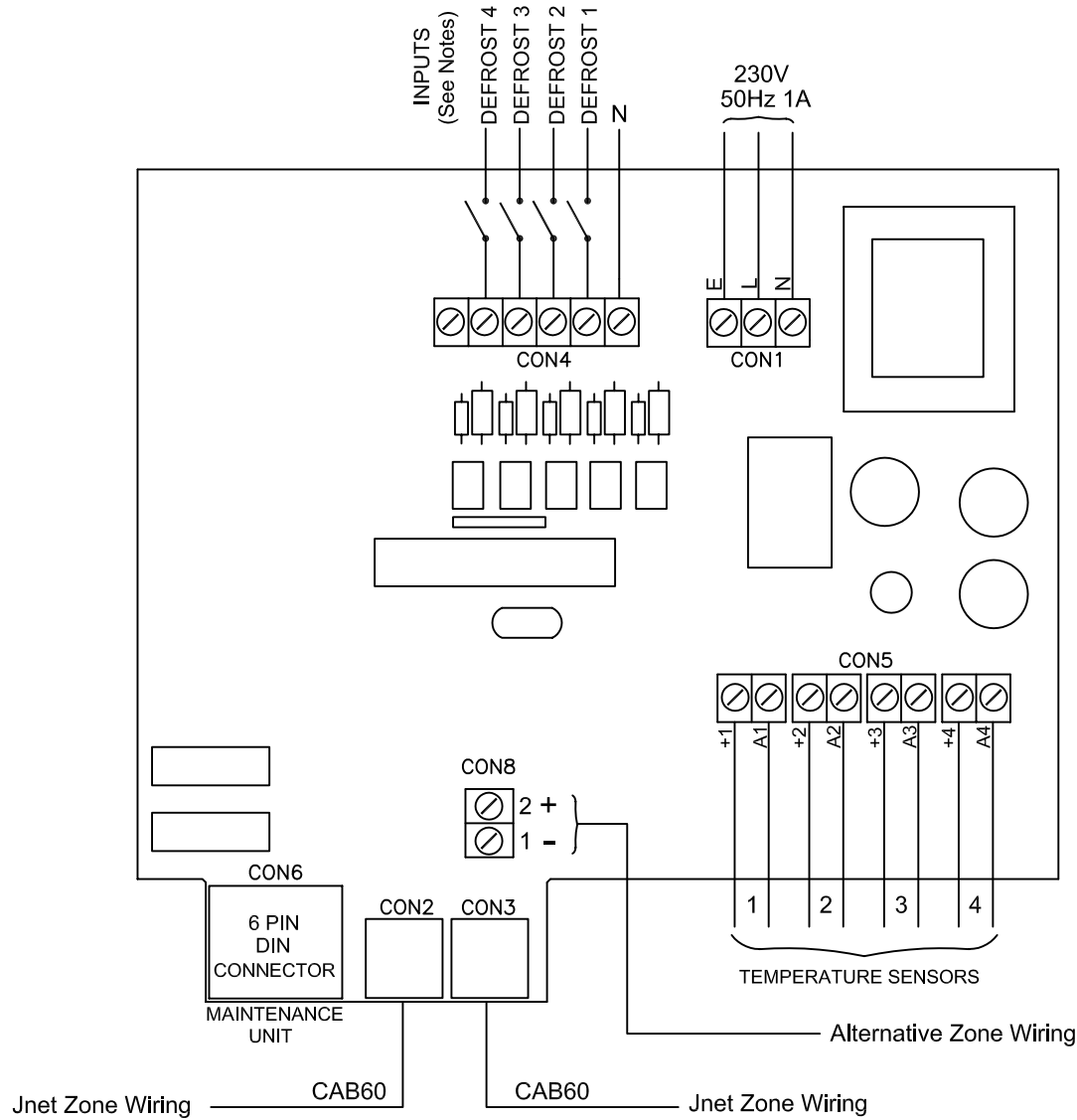


TA230 MONITOR (Mk1 Build)




NOTE:

INPUTS ARE 230V OPTICALLY ISOLATED IN THE TA230.

THIS UNIT IS SUITABLE FOR SINGLE PHASE 230V OPERATION ONLY.

i.e INPUTS MUST BE ON THE SAME PHASE AS SUPPLY.

THIS IS AN UNCONTROLLED COPY - UNLESS STAMPED WITH CONTROLLED COPY STAMP

		JTL SYSTEMS LTD 41 KINGFISHER COURT, HAMBRIDGE RD, NEWBURY, BERKSHIRE: RG14 5SJ TEL: 01635 263646 FAX: 01635 263647		
		ISSUE	DESCRIPTION	APP'D
3	UPDATED INPUTS ADDED NOTE	MJK	01/18	
2	ISSUE 1 PC FOR JTL REFERENCE ONLY	MJK	01/15	
1	ORIGINAL ISSUE	MJK	08/11	
TITLE: TA230 (Mk1 Build) TEMPERATURE MONITOR CONNECTION DIAGRAM				
PROJ.	DRG No:	SHT	OF	ISS.
	03862	1	1	3