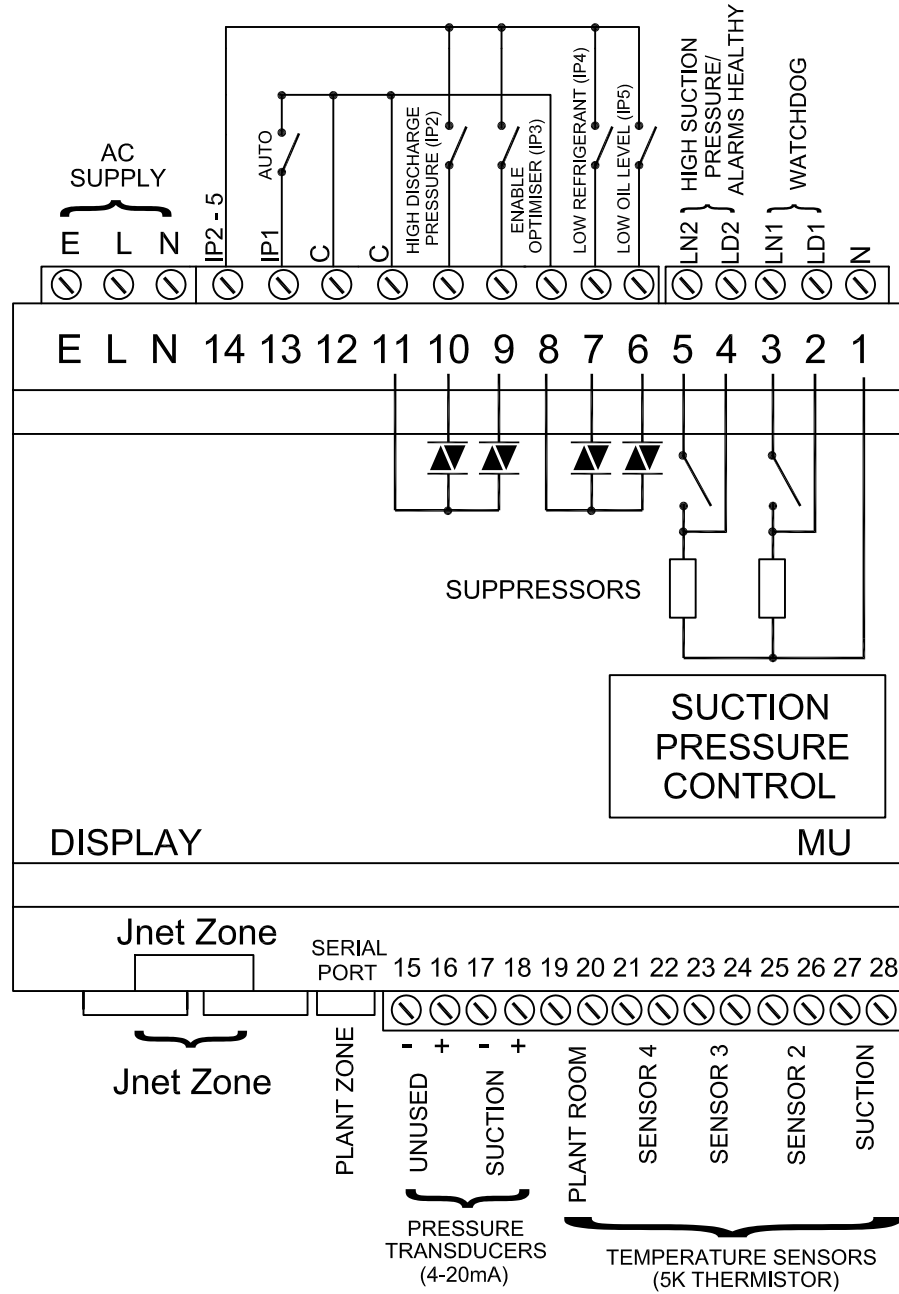


LP220 COMPRESSOR CONTROL



NOTES

1. To ensure that internally fitted suppressors work correctly, connect line voltages to terminals prefixed LN and the corresponding loads to terminals prefixed LD. Ensure neutral is connected to terminal control supply.
2. Inputs 2 - 5 use a common multiplexed input.
3. High Suction Pressure or Alarms Healthy selectable on Item 166



JTL SYSTEMS LTD
 41 KINGFISHER COURT, HAMBRIDGE RD,
 NEWBURY, BERKSHIRE: RG14 5SJ
 TEL: 01635 263646 FAX: 01635 263647

ISSUE	DESCRIPTION	APP'D	DATE
3	ADDED NOTE 3	MJK	07/13
2	INPUTS 4 & 5 ADDED	MJK	06/12
1	ORIGINAL ISSUE	MJK	05/12

TITLE:
LP220 COMPRESSOR CONTROL

PROJ.	DRG No:	SHT	OF	ISS.
	03979	1	1	3