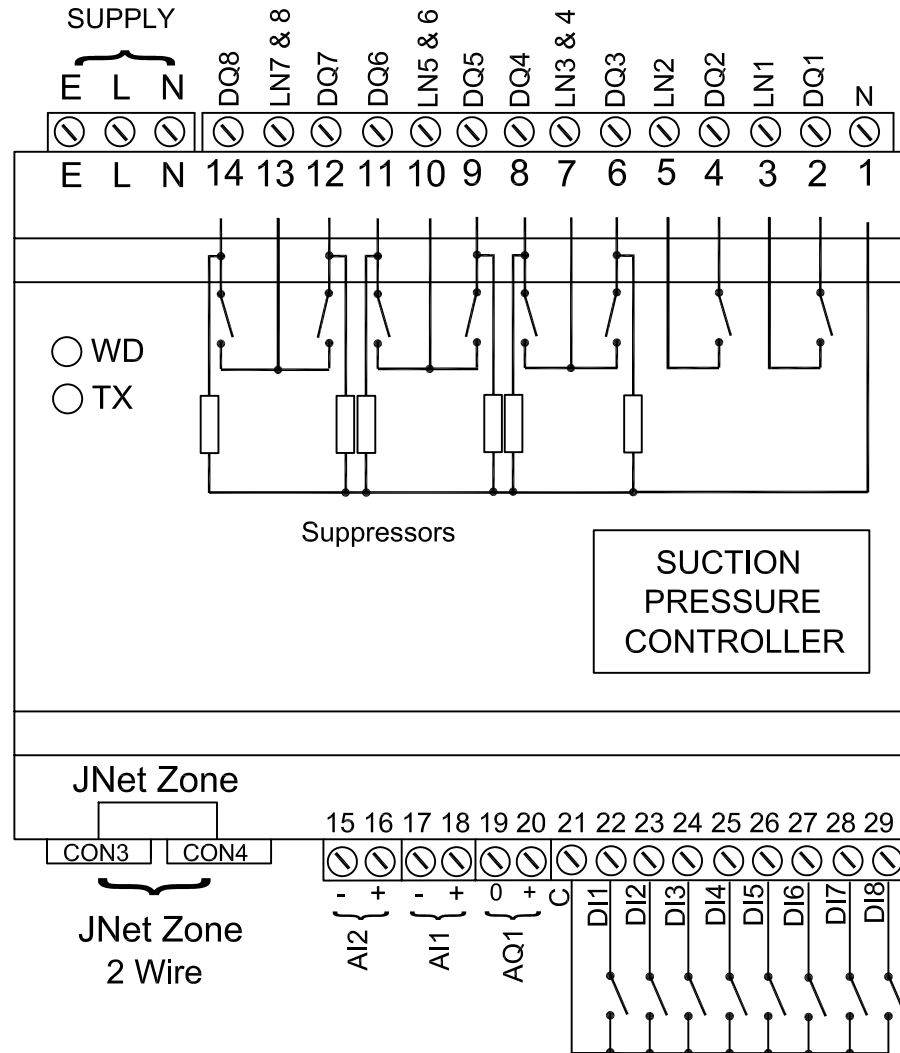


LP110 & LP310 COMPRESSOR CONTROLLER CONNECTION DIAGRAM

Digital Connections

OUTPUT		
DQ1	Unsuppressed	Critical Alarm
DQ2	Unsuppressed	High Suction Pressure (alarm)
DQ3	Suppressed	Run Compressor 1
DQ4	Suppressed	Run Compressor 2
DQ5	Suppressed	Run Compressor 3
DQ6	Suppressed	Run Compressor 4
DQ7	Suppressed	Run Inverter
DQ8	Suppressed	Watchdog
INPUT		
DI1	Volt Free	Auto/Manual
DI2	Volt Free	High Discharge Pressure
DI3	Volt Free	Compressor 1 Available to Run
DI4	Volt Free	Compressor 2 Available to Run
DI5	Volt Free	Compressor 3 Available to Run
DI6	Volt Free	Compressor 4 Available to Run
DI7	Volt Free	Inverter Healthy
DI8	Volt Free	Low Liquid Level
Analogue OUTPUT		
AQ1	0-10V	Inverter Speed
Analogue INPUT		
AI1	4-20mA	Suction Pressure
AI2	4-20mA	Not used



NOTES:

1. Inputs are volt free contacts using internal 15V dc supply.
2. To ensure that internally fitted suppressors work correctly, connect line voltages to terminals prefixed LN and the corresponding loads to terminals prefixed DQ. Ensure neutral is connected to terminal marked N.



JTL SYSTEMS LTD
41 KINGFISHER COURT, HAMBRIDGE RD,
NEWBURY, BERKSHIRE: RG14 5SJ
TEL: 01635 263646 FAX: 01635 263647

ISSUE	DESCRIPTION	APP'D	DATE
3	OUTPUTS 1 & 2 UNSUPPRESSED	MJK	06/13
2	INPUTS REVERSED	MJK	06/13
4	ADDED LP310	MJK	09/13

TITLE:
**LP110 & LP310 SUCTION PRESSURE
CONTROLLER**

PROJ.	DRG No:	SHT	OF	ISS.
	04104	1	1	4