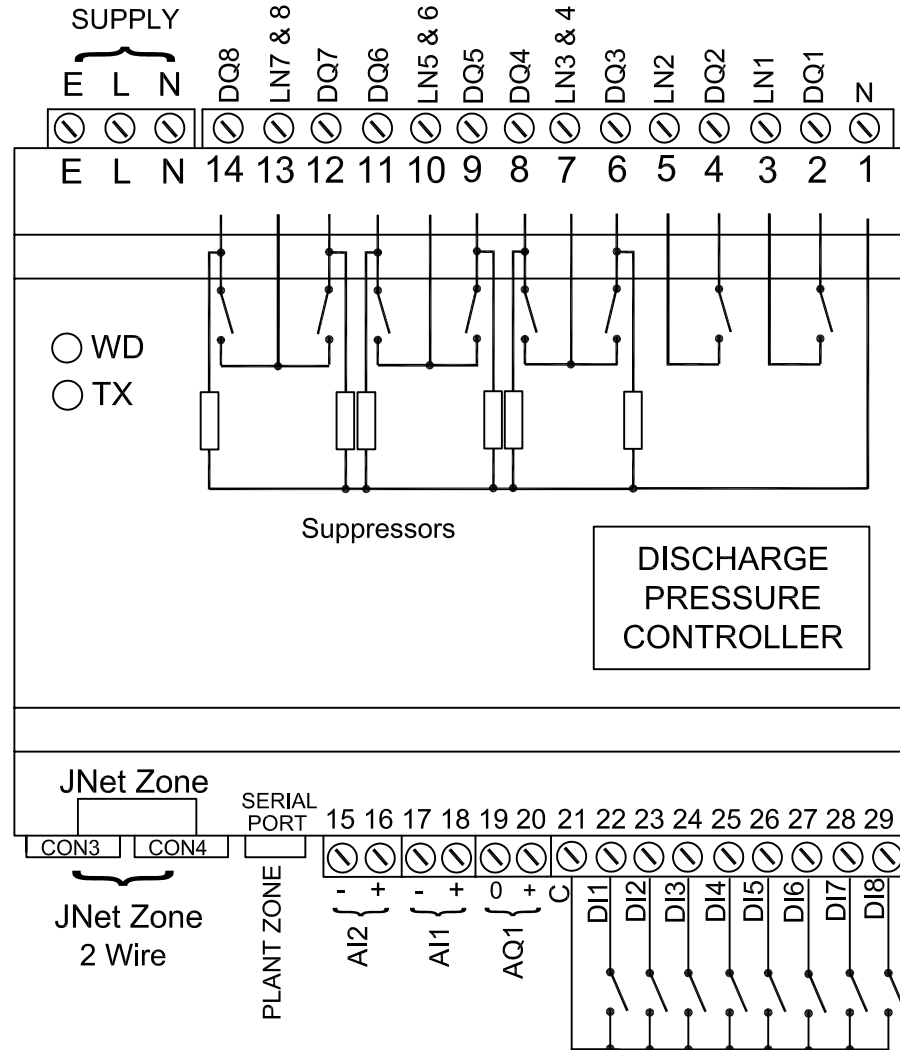


HP260 CONDENSER CONTROL CONNECTION DIAGRAM

Digital Connections

OUTPUT		
DQ1	Unsuppressed	Watchdog
DQ2	Unsuppressed	High Discharge Pressure
DQ3	Suppressed	Stage 1
DQ4	Suppressed	Stage 2
DQ5	Suppressed	Stage 3
DQ6	Suppressed	Stage 4
DQ7	Suppressed	Not used
DQ8	Suppressed	Not used
INPUT		
DI1	Volt Free	Auto/Manual
DI2	Volt Free	Fans Ok
DI3	Volt Free	Stage 1 Ok
DI4	Volt Free	Stage 2 Ok
DI5	Volt Free	Stage 3 Ok
DI6	Volt Free	Stage 4 Ok
DI7	Volt Free	Heat Required
DI8	Volt Free	Low Liquid
Analogue OUTPUT		
AQ1	0-10V	Fan Speed
Analogue INPUT		
AI1	4-20mA	Discharge Pressure
AI2	4-20mA	Differential Pressure



NOTES:

1. Inputs are volt free contacts using internal 15V dc supply.
2. To ensure that internally fitted suppressors work correctly, connect line voltages to terminals prefixed LN and the corresponding loads to terminals prefixed DQ. Ensure neutral is connected to terminal marked N.

JTL SYSTEMS LTD
 41 KINGFISHER COURT, HAMBRIDGE RD,
 NEWBURY, BERKSHIRE: RG14 5SJ
 TEL: 01635 263646 FAX: 01635 263647

ISSUE	DESCRIPTION	APP'D	DATE
2	INPUTS D17, D18 UPDATED	MJK	11/13
1	ORIGINAL ISSUE	MJK	09/13

TITLE:
 HP260 CONDENSER CONTROL
 CONNECTION DIAGRAM

PROJ.	DRG No:	SHT	OF	ISS.
	04184	1	1	2