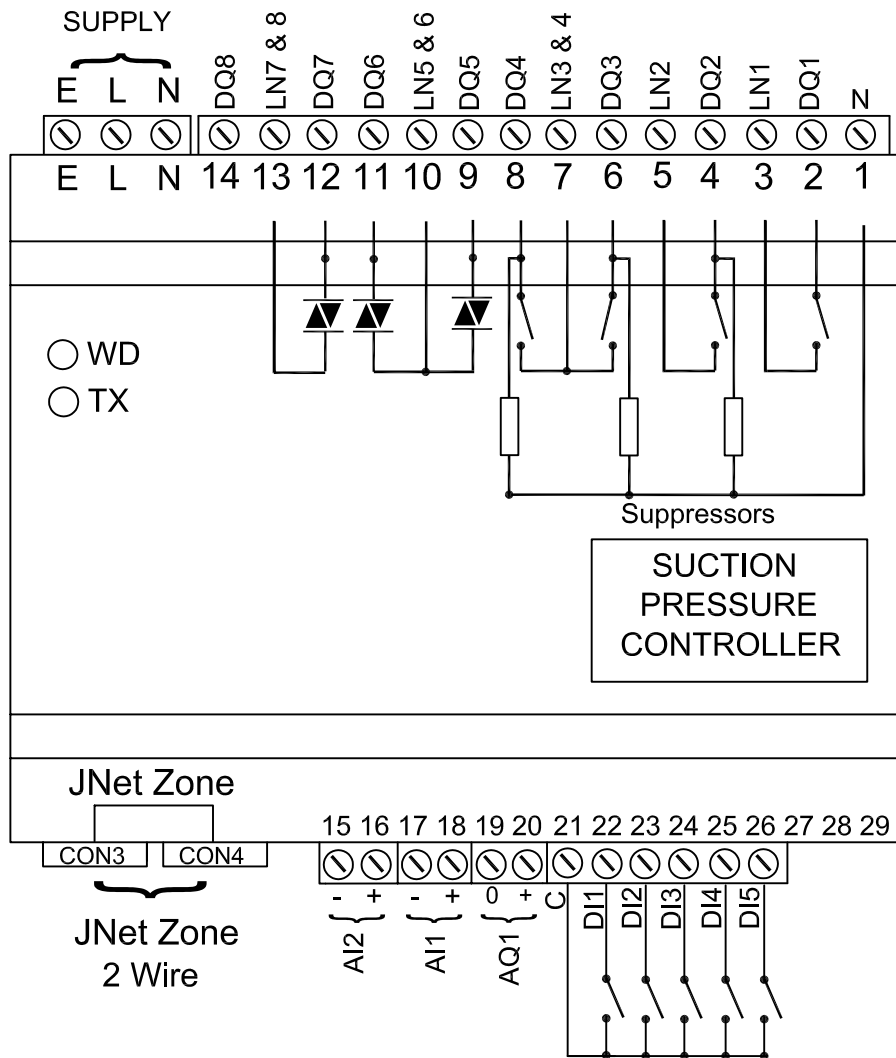


LP160 COMPRESSOR CONTROLLER CONNECTION DIAGRAM

Digital Connections

OUTPUT		
DQ1	Unsuppressed	High Suction Pressure Alarm
DQ2	Suppressed	Pressure Control OK
DQ3	Suppressed	Watchdog
DQ4	Suppressed	Run Compressor
DQ5	Suppressed	Unloader 1
DQ6	Suppressed	Unloader 2
DQ7	Suppressed	Unloader 3
DQ8	Suppressed	Not used
INPUT		
DI1	Volt Free	Auto/Manual
DI2	Volt Free	Plant OK
DI3	Volt Free	Compressor OK
DI4	Volt Free	Not used
DI5	Volt Free	Not used
Analogue OUTPUT		
AQ1	0-10V	Not used
Analogue INPUT		
AI1	4-20mA	Suction Pressure
AI2	4-20mA	Not used



NOTES:

- Inputs are volt free contacts using internal 15V dc supply.
- To ensure that internally fitted suppressors work correctly, connect line voltages to terminals prefixed LN and the corresponding loads to terminals prefixed DQ. Ensure load neutral is connected to terminal marked N.



JTL SYSTEMS LTD
41 KINGFISHER COURT, HAMBRIDGE RD,
NEWBURY, BERKSHIRE: RG14 5SJ
TEL: 01635 263646 FAX: 01635 263647

ISSUE	DESCRIPTION	APP'D	DATE
1	ORIGINAL LP160	SzN	04/14

TITLE:
LP160 SUCTION PRESSURE CONTROLLER

PROJ.	DRG No:	SHT	OF	ISS.
	04311	1	1	1