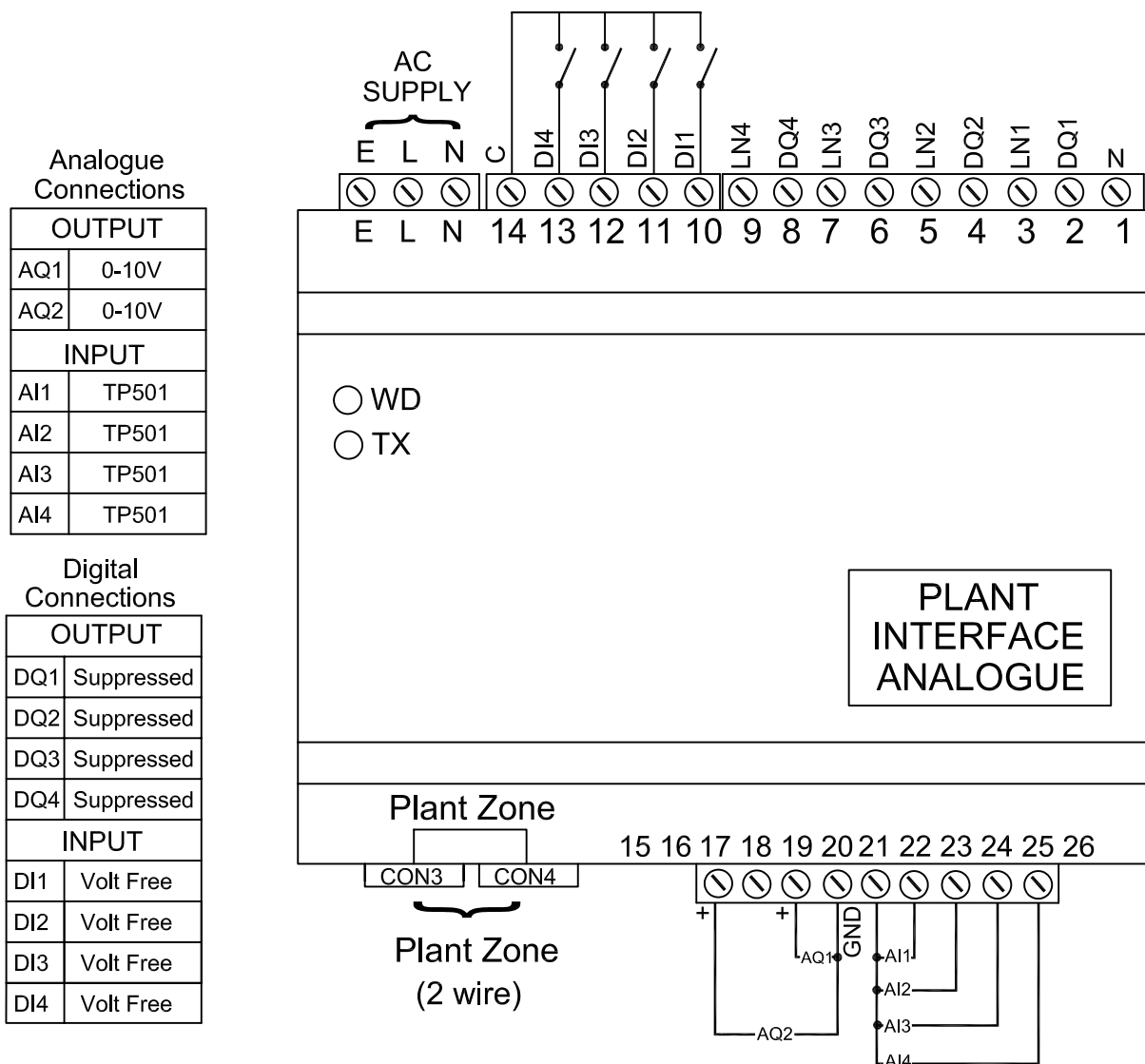


IF36 CONNECTIONS DIAGRAM



NOTES:

1. Inputs are volt free contacts using internal 15V ac supply.
2. To ensure that internally fitted suppressors work correctly, connect line voltages to terminals prefixed LN and the corresponding loads to terminals prefixed DQ. Ensure neutral is connected to terminal marked N.



JTL SYSTEMS LTD
 41 KINGFISHER COURT, HAMBRIDGE RD,
 NEWBURY, BERKSHIRE: RG14 5SJ
 TEL: 01635 263646 FAX: 01635 263647

ISSUE	DESCRIPTION	APPD	DATE
1	ORIGINAL ISSUE	MJK	02/15

TITLE: IF36 CONNECTIONS DIAGRAM				
PROJ.	DRG No: 04434	SHT 1	OF 1	ISS. 1