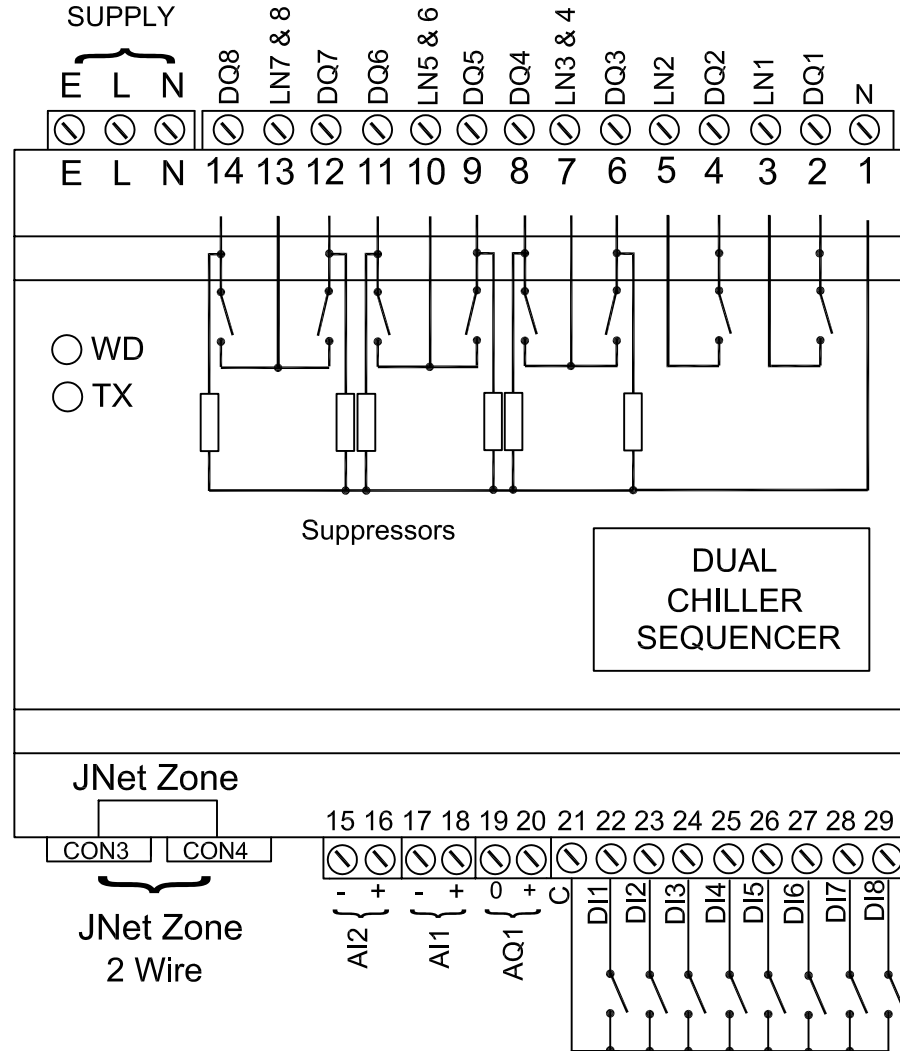


CH210 DUAL CHILLER SEQUENCER CONNECTION DIAGRAM

Digital Connections

OUTPUT		
DQ1	Unsuppressed	Critical Alarm
DQ2	Unsuppressed	Not used
DQ3	Suppressed	Run Chiller 1 & Pump
DQ4	Suppressed	Run Chiller 2 & Pump
DQ5	Suppressed	Run Chiller 1 PEV 1
DQ6	Suppressed	Run Chiller 1 PEV 2
DQ7	Suppressed	Not used
DQ8	Suppressed	Not used
INPUT		
DI1	Volt Free	Auto/Manual
DI2	Volt Free	Chiller 1 Healthy
DI3	Volt Free	Chiller 1 Pump Healthy
DI4	Volt Free	Chiller 2 Healthy
DI5	Volt Free	Chiller 2 Pump Healthy
DI6	Volt Free	Not used
DI7	Volt Free	Not used
DI8	Volt Free	Not used
Analogue OUTPUT		
AQ1	0-10V	Not used
Analogue INPUT		
AI1	TP501	Coolant Flow Temperature
AI2	TP501	Coolant Return Temperature



NOTES:

- Inputs are volt free contacts using internal 15V dc supply.
- To ensure that internally fitted suppressors work correctly, connect line voltages to terminals prefixed LN and the corresponding loads to terminals prefixed DQ. Ensure neutral is connected to terminal marked N.



JTL SYSTEMS LTD
41 KINGFISHER COURT, HAMBRIDGE RD,
NEWBURY, BERKSHIRE: RG14 5SJ
TEL: 01635 263646 FAX: 01635 263647

ISSUE	DESCRIPTION	APP'D	DATE
2	UPDATED OUTPUT/INPUT TABLE	MJK	06/16
1	ORIGINAL ISSUE	MJK	04/16

TITLE:
**CH210 DUAL CHILLER SEQUENCER
CONTROLLER**

PROJ.	DRG No:	SHT	OF	ISS.
	04637	1	1	2