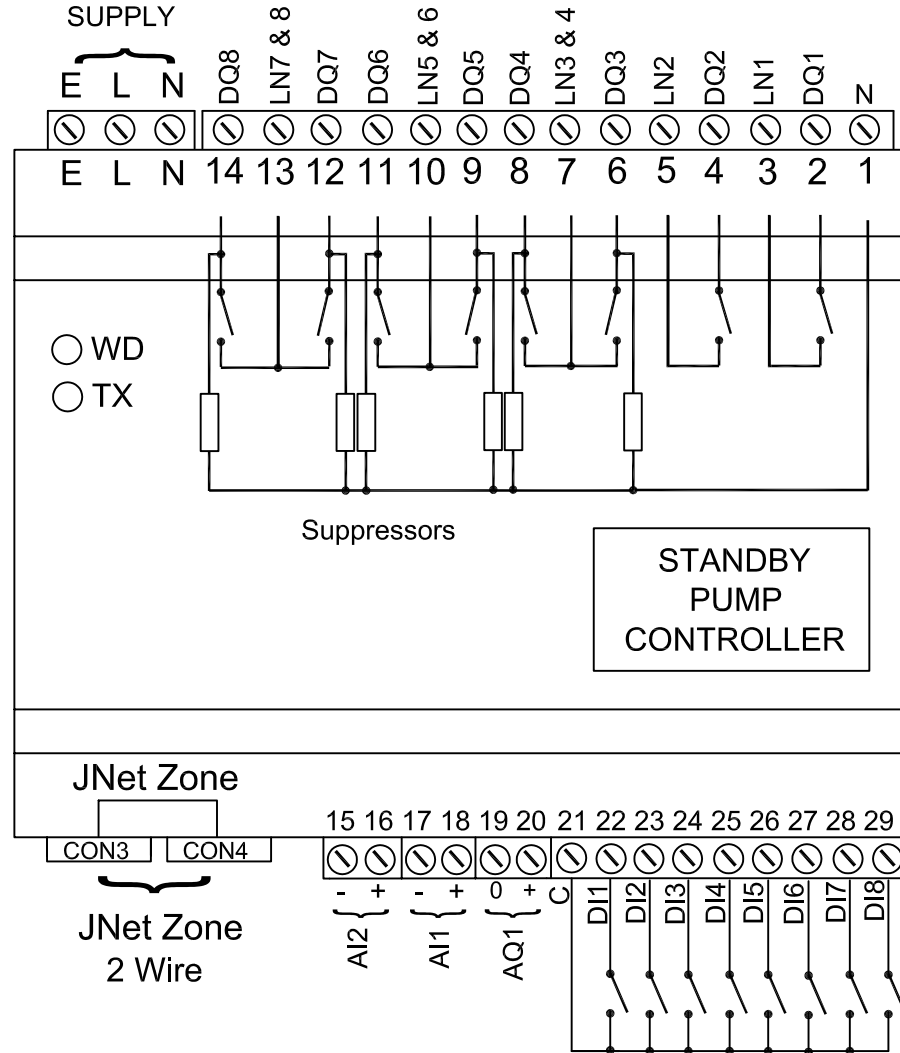


PU310 STANDBY PUMP CONTROLLER CONNECTION DIAGRAM

Digital Connections

OUTPUT		
DQ1	Unsuppressed	Pump 1 Healthy
DQ2	Unsuppressed	Pump 2 Healthy
DQ3	Suppressed	Run Pump 1
DQ4	Suppressed	Run Pump 2
DQ5	Suppressed	Flow Present
DQ6	Suppressed	Not used
DQ7	Suppressed	Not used
DQ8	Suppressed	Not used
INPUT		
DI1	Volt Free	Auto/Manual
DI2	Volt Free	Run Pumps
DI3	Volt Free	Pump 1 Healthy
DI4	Volt Free	Pump 2 Healthy
DI5	Volt Free	Flow Present
DI6	Volt Free	Pump 1 Force Run
DI7	Volt Free	Pump 2 Force Run
DI8	Volt Free	Not used
Analogue OUTPUT		
AQ1	0-10V	Not used
Analogue INPUT		
AI1	TP501	Water Flow Temperature
AI2	TP501	Not used



NOTES:

1. Inputs are volt free contacts using internal 15V dc supply.
2. To ensure that internally fitted suppressors work correctly, connect line voltages to terminals prefixed LN and the corresponding loads to terminals prefixed DQ. Ensure neutral is connected to terminal marked N.



JTL SYSTEMS LTD
41 KINGFISHER COURT, HAMBRIDGE RD,
NEWBURY, BERKSHIRE: RG14 5SJ
TEL: 01635 263646 FAX: 01635 263647

ISSUE	DESCRIPTION	APP'D	DATE
1	ORIGINAL ISSUE	MJK	04/16

TITLE: PU310 STANDBY PUMP CONTROLLER				
PROJ.	DRG No: 04638	SHT	OF	ISS.
		1	1	1